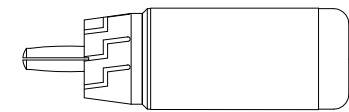
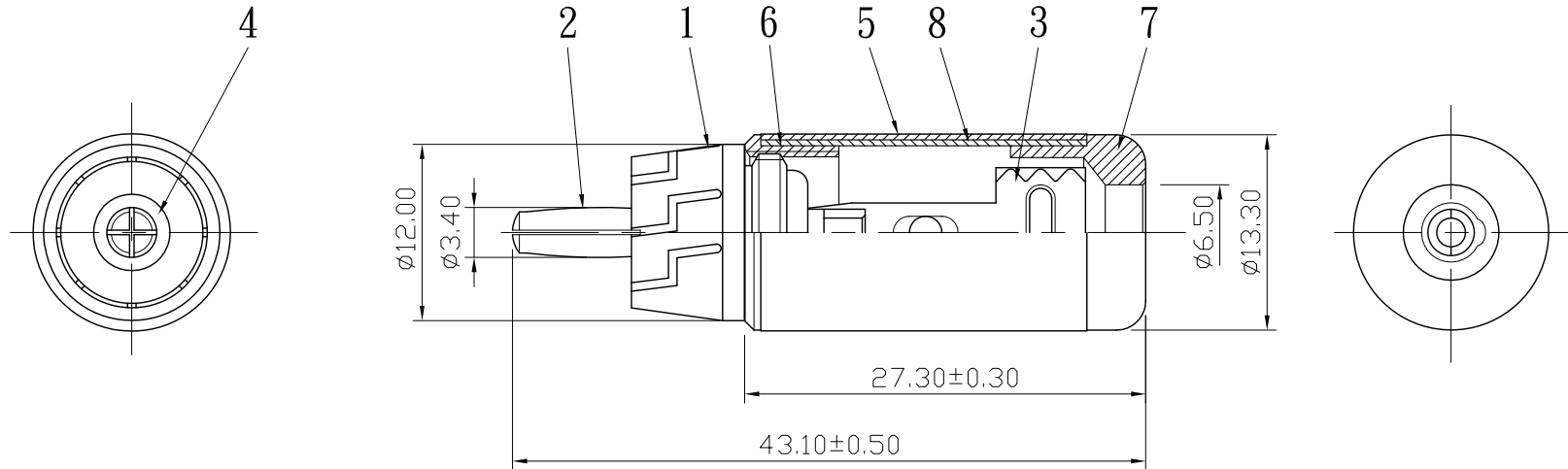


No.	DATE	DESCRIPTION	REV
△	2013. 05. 31	Drawing to renew 圖面更新	A

REMARK : RoHS REQUIREMENT APPLIED  
(符合RoHS)




S 1 : 1

8	tube	1	brass	nature	
7	sleeve	1	aluminum	red/black/blue/gold anodic treatment	
6	headlock	1	brass	gold	
5	shell	1	wood	pattern	
4	insulator	1	PTFE	white	
3	clip	1	brass	gold	
2	contact pin	1	brass	gold	
1	body	1	brass	gold	
NO.	Description	Unit	Materials	Finish	Drawing No.

DIMENSIONS ARE IN MILLIMETERS		
UNLESS OTHERWISE PECIFIED TOLERANCES (一般公差)		
0.5~6	= ±0.2	
>6~30	= ±0.4	
>30~120	= ±0.6	
>120~315	= ±1	
>315~1000	= ±1.6	
ANGLES(角度) = ±5°		
SCALE	2 : 1	UNIT
		MM

CHECKED
DRAWN <i>Jim</i>
DATE 2007. 08. 09

 <b>雅鈦企業有限公司</b> Aec Connectors Co., Ltd.	TITLE RCA PLUG
	DRAWING NO. RP-3008WDG-TEF-A-RD/BK/BE/GD-6.5
	FILE NO. DRAWING\AUDIO\RP\RP-3008WDG-TEF-A-RD/BK/BE/GD-6.5