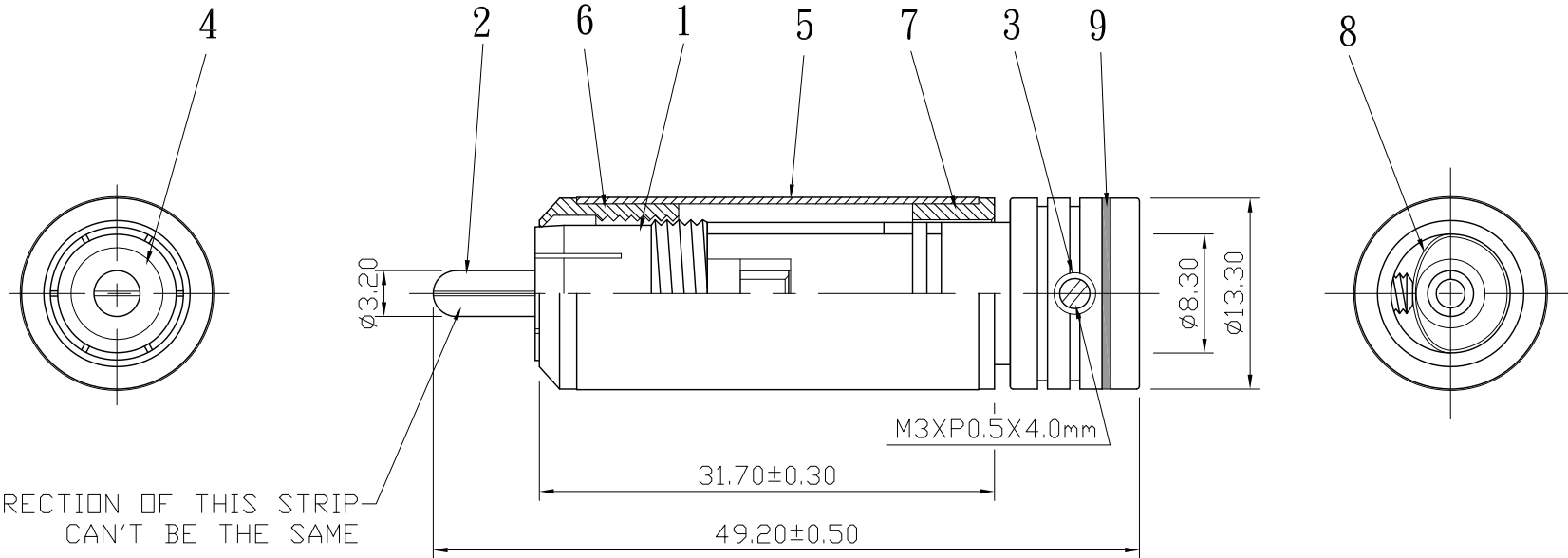


REMARK : RoHS REQUIREMENT APPLIED
(符合RoHS)




S 1 : 1

9	color ring	1	pvc	red/black/blue white/yellow/green	
8	sleeve	1	pvc	transparent	
7	sleeve	1	brass	gold	
6	headlock	1	brass	gold	
5	shell	1	black fiber glass	nature	
4	insulator	1	teflon	white	
3	screw	1	brass	nickel	SCREW-103N-M3XP0.5X4.0mm
2	contact pin	1	brass	rhodium	
1	body	1	brass	rhodium	
NO.	Description	Unit	Materials	Finish	Drawing No.

DIMENSIONS ARE IN
MILLIMETERS
UNLESS OTHERWISE SPECIFIED
TOLERANCES
(一般公差)
0.5~6 = ±0.2
>6~30 = ±0.4
>30~120 = ±0.6
>120~315 = ±1
>315~1000 = ±1.6
ANGLES(角度) = ±5°

CHECKED

DRAWN
Lala
DATE
2008.01.14

 雅鈦企業有限公司 Aec Connectors Co., Ltd.	TITLE	RCA PLUG
	DRAWING NO.	RP-3018BKFRh-TEF-A-RD/BK/BE/WE/YW/GN-8.3
FILE NO.		DRAWING\AUDIO\RP-3018BKFRh-TEF-A-RD/BK/BE/WE/YW/GN-8.3