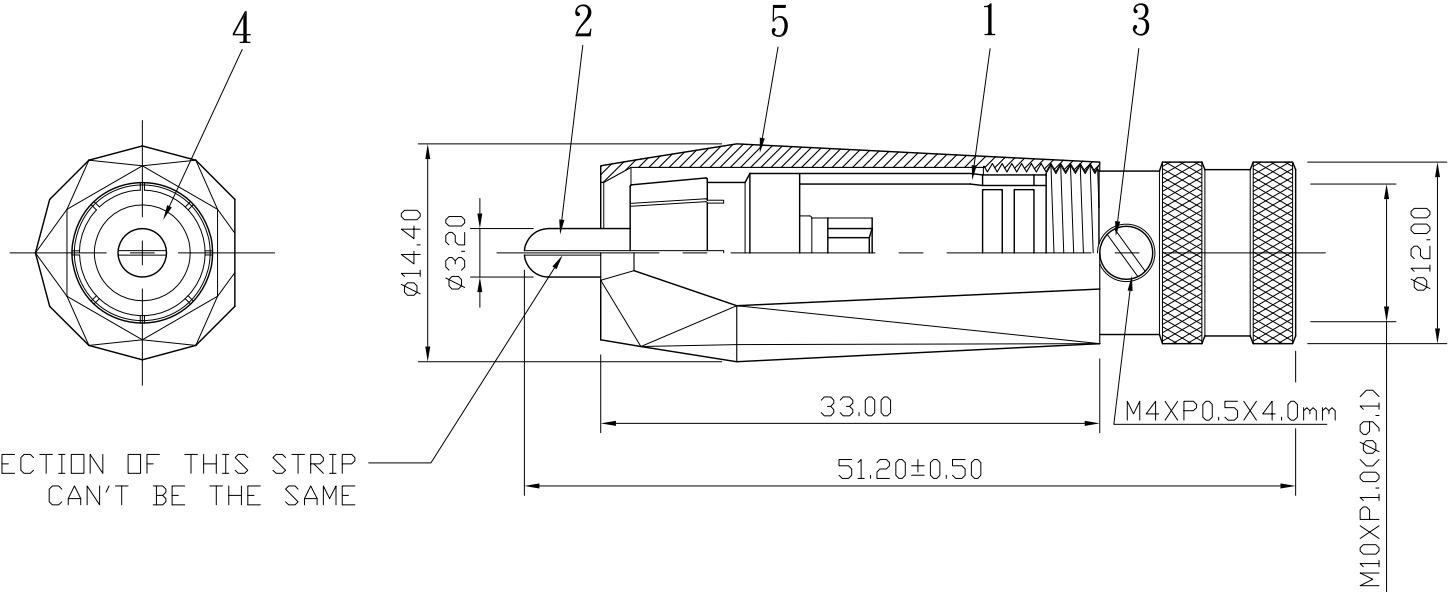
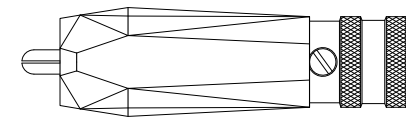


REMARK : RoHS REQUIREMENT APPLIED  
(符合RoHS)



THE DIRECTION OF THIS STRIP  
CAN'T BE THE SAME



S 1 : 1

NO.	Description	Unit	Materials	Finish	Drawing No.	SCALE	2 : 1	UNIT	MM	CHECKED	DATE	FILE NO.
7						DIMENSIONS ARE IN MILLIMETERS UNLESS OTHERWISE PECIFIED TOLERANCES (一般公差) 0.5~6 = ±0.2 >6~30 = ±0.4 >30~120 = ±0.6 >120~315 = ±1 >315~1000 = ±1.6 ANGLES(角度) = ±5°						
6												
5	shell	1	brass	gold+topcoat								
4	insulator	1	PTFE	white								
3	screw	1	brass	nickel	SCREW-104N-M4XP0.5X4.0mm							
2	contact pin	1	tellurium copper	rhodium								
1	body	1	brass	rhodium								
TITLE: <b>雅鈦企業有限公司</b> Aec Connectors Co., Ltd.												
DRAWING NO. <b>RP-4001AGRh+P-TEF-A-9.1</b>												
FILE NO. DRAWINGAUDIO\RP\RP-4001AGRh+P-TEF-A-9.1												