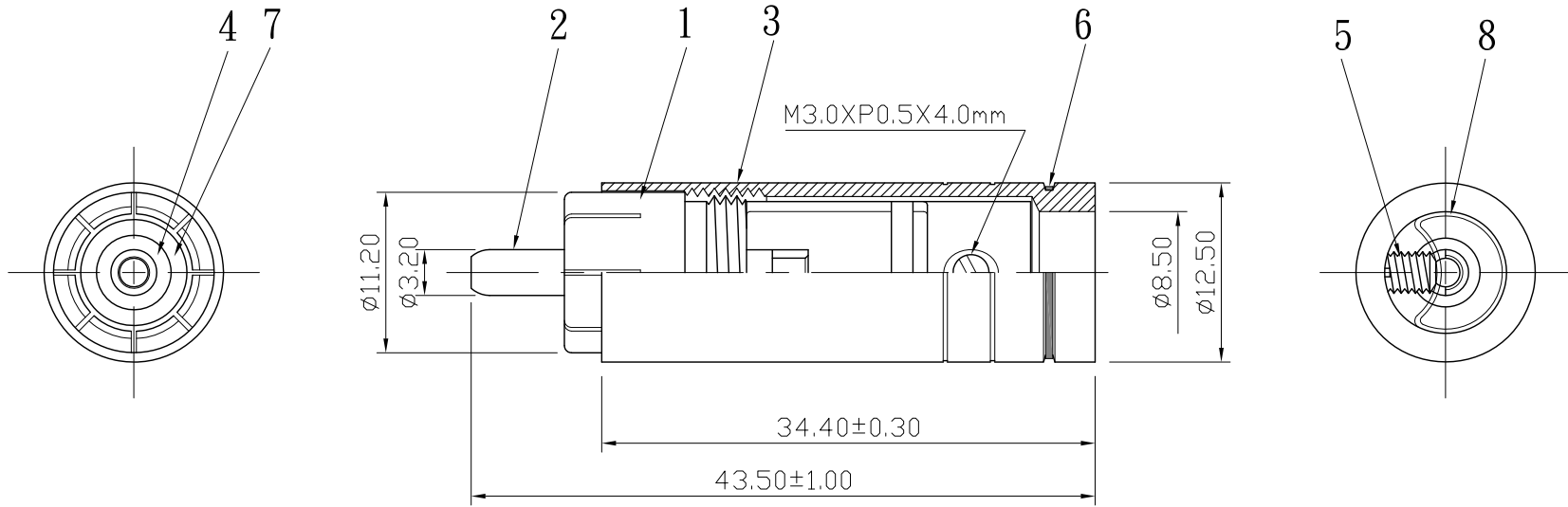



REMARK : RoHS REQUIREMENT APPLIED  
(符合RoHS)



S 1 : 1

NOTE : HOLLOW CONTACT PIN (中空型中心針)

8	sleeve	1	PVC	transparent		DIMENSIONS ARE IN MILLIMETERS UNLESS OTHERWISE SPECIFIED TOLERANCES (一般公差) 0.5~6 = ±0.2 >6~30 = ±0.4 >30~120 = ±0.6 >120~315 = ±1 >315~1000 = ±1.6 ANGLES(角度) = ±5°	CHECKED	 雅鈦企業有限公司 Aec Connectors Co., Ltd.	
7	ring	1	tellurium copper	silver					DRAWN <i>Tina</i>
6	color ring	1	PVC	red/black/blue white/yellow/green			DATE 2012. 02. 10		
5	screw	1	brass	nickel	SCREW-104N-M3XP0.5X4.0mm				FILE NO. DRAWINGAUDIO\RP-4004BKALS(Tc)-TEF-A-RD/BK/BE/WE/YW/GN-8.5
4	insulator	1	PTFE	white					
3	shell	1	aluminum	black anodic treatment					
2	contact pin	1	tellurium copper	silver					
1	body	1	tellurium copper	silver					
NO.	Description	Unit	Materials	Finish	Drawing No.	SCALE	2 : 1	UNIT	MM