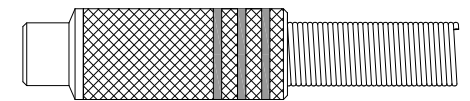
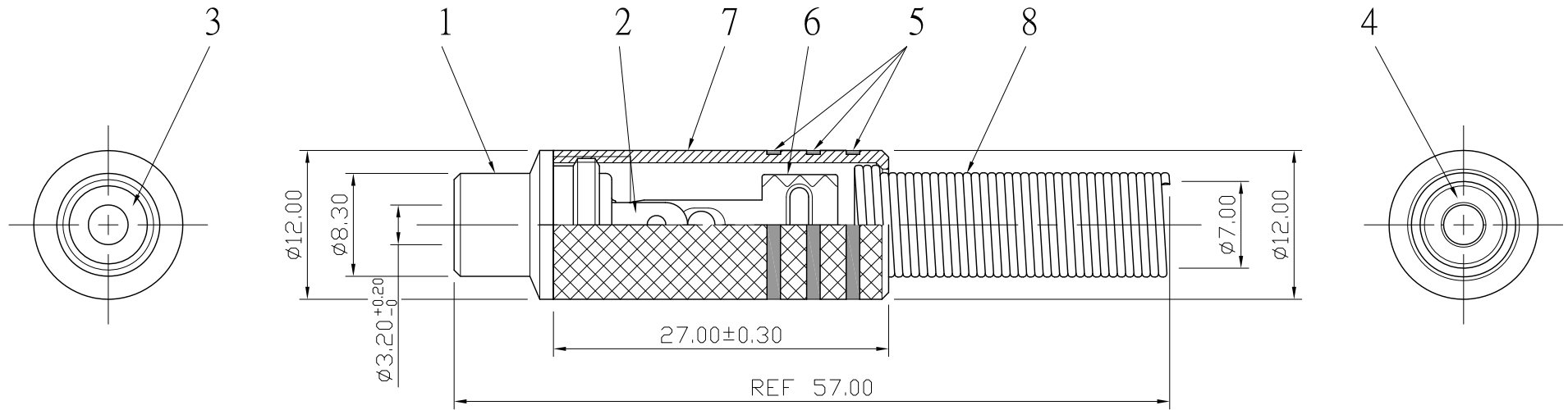



REMARK : RoHS REQUIREMENT APPLIED
(符合RoHS)



S 1 : 1

8	spring	1	iron	gold		DIMENSIONS ARE IN MILLIMETERS UNLESS OTHERWISE PECIFIED TOLERANCES (一般公差) 0.5~6 = ±0.2 >6~30 = ±0.4 >30~120 = ±0.6 >120~315 = ±1 >315~1000 = ±1.6 ANGLES(角度) = ±5°	CHECKED	 雅鈦企業有限公司 Aec Connectors Co., Ltd.	
7	shell	1	brass	gold					DRAWN <i>Tina</i>
6	clip	1	brass	gold			DATE 2011. 04. 21		
5	color ring	3	PVC	red/black					FILE NO. DRAWINGAUDIO\RJRJ-123GG-ABS-RK/BK-7.0
4	insulator	1	ABS	white					
3	insulator	1	bakelite	white					
2	contact pin	1	brass	gold					
1	body	1	brass	gold					
NO.	Description	Unit	Materials	Finish	Drawing No.	SCALE	2 : 1	UNIT	MM