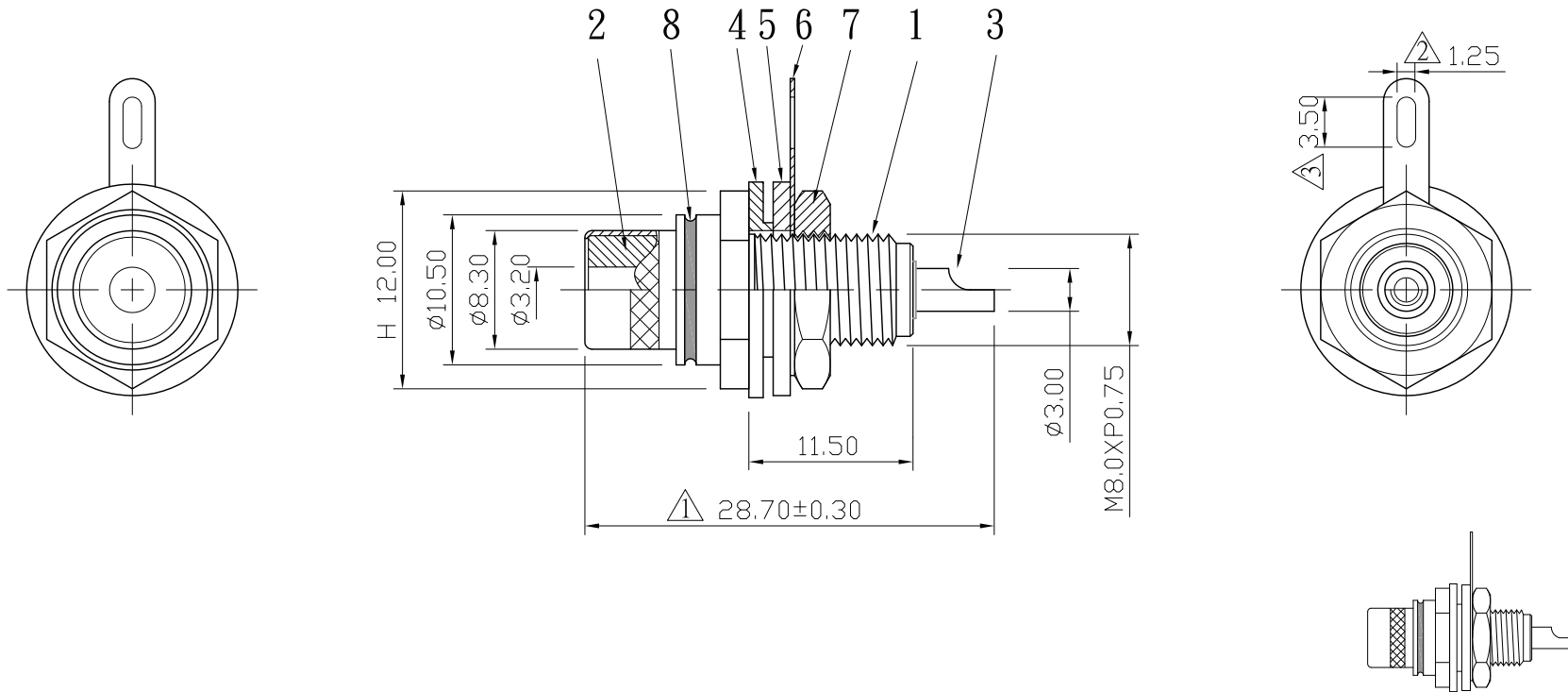


| No. | DATE | DESCRIPTION | REV |
|-----|--------------|------------------------------|-----|
| △1 | 2011. 03. 22 | Original dimation 28.80±0.30 | A |
| △2 | 2011. 03. 22 | Original dimation 1.30 | |
| △3 | 2011. 03. 22 | Original dimation 3.60 | |

REMARK : RoHS REQUIREMENT APPLIED
(符合RoHS)



S 1 : 1

| NO. | Description | Unit | Materials | Finish | Drawing No. |
|-----|--------------|------|-----------|-----------------|-------------|
| 8 | color ring | 1 | painting | black/red/white | |
| 7 | hexangon nut | 1 | brass | gold | |
| 6 | solder tab | 1 | bronze | gold | |
| 5 | washer | 1 | plastic | white | |
| 4 | washer | 1 | plastic | white | |
| 3 | contact pin | 1 | brass | gold | |
| 2 | insulator | 1 | POM | white | |
| 1 | body | 1 | brass | gold | |

DIMENSIONS ARE IN MILLIMETERS
UNLESS OTHRWISE PECIFIED
TOLERANCES
(一般公差)
0.5~6 = ± 0.2
>6~30 = ± 0.4
>30~120 = ± 0.6
>120~315 = ± 1
>315~1000 = ± 1.6
ANGLES(角度) = $\pm 5^\circ$

CHECKED

DRAWN
Ben
DATE
2008. 01. 03

 雅鈦企業有限公司
Aec Connectors Co., Ltd.

TITLE
RCA JACK

DRAWING NO.
RJ-127HG-POM-BK/RD/WE

FILE NO. DRAWINGAUDIO\RJRJ-127HG-POM-BK/RD/WE