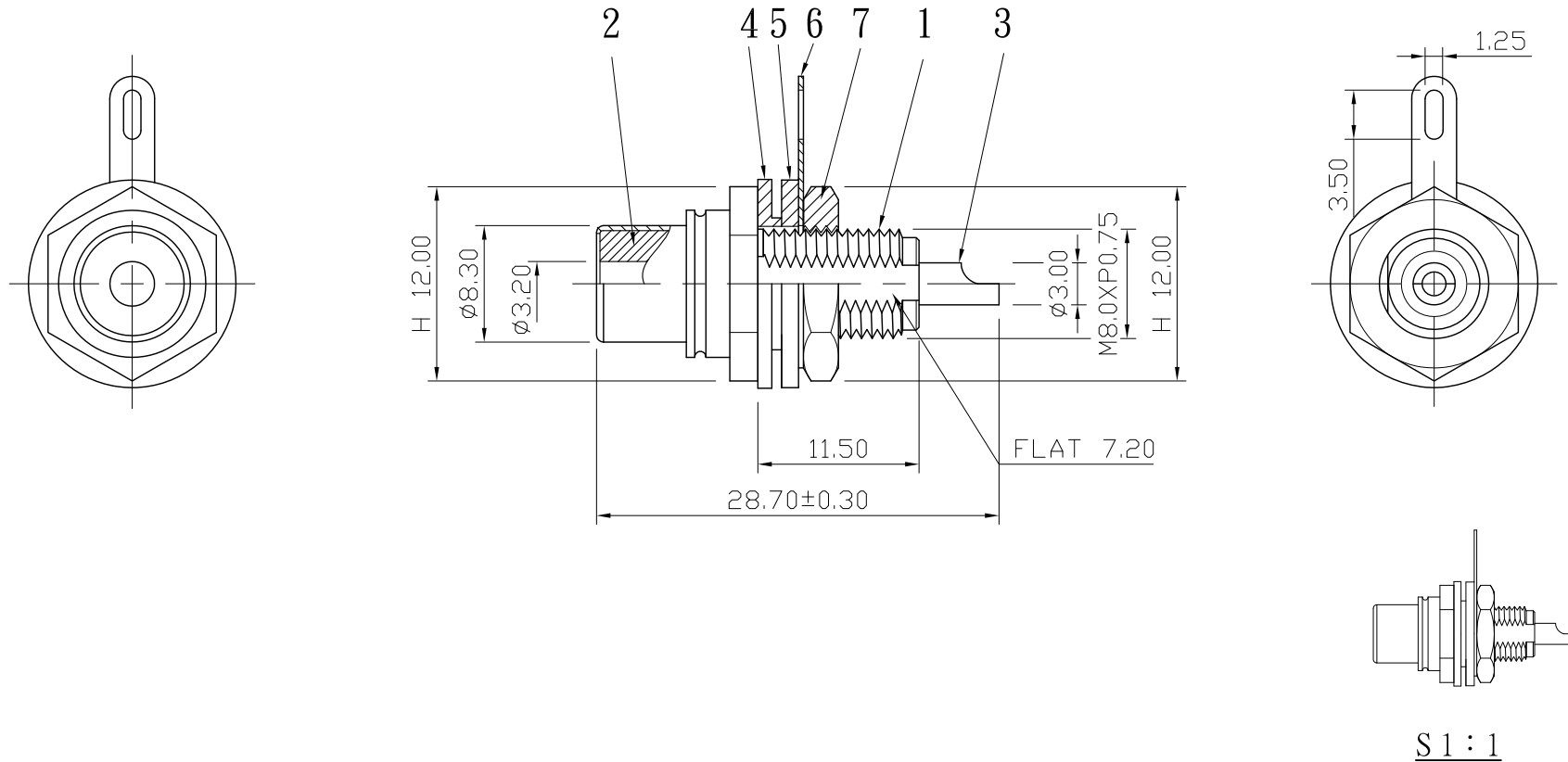



No.	DATE	DESCRIPTION	REV
△	2011. 11. 04	Update drawing (圖面更新)	A

REMARK : RoHS REQUIREMENT APPLIED
(符合RoHS)



7	nut	1	brass	gold	DIMENSIONS ARE IN MILLIMETERS UNLESS OTHERWISE PECIFIED TOLERANCES (一般公差) 0.5~6 = ± 0.2 >6~30 = ± 0.4 >30~120 = ± 0.6 >120~315 = ± 1 >315~1000 = ± 1.6 ANGLES(角度) = $\pm 5^\circ$				
6	solder tab	1	bronze	gold					
5	washer	1	plastic	white					
4	washer	1	plastic	white					
3	contact pin	1	brass	gold					
2	insulator	1	PTFE	white					
1	body	1	brass	gold					
NO.	Description	Unit	Materials	Finish	Drawing No.	SCALE	2 : 1	UNIT	MM

CHECKED
DRAWN <i>Ada</i>
DATE 2010. 08. 06

 雅鈦企業有限公司 Aec Connectors Co., Ltd.	TITLE RCA JACK
	DRAWING NO. RJ-301HG-TEF
	FILE NO. DRAWING\AUDIO\RJRJ-301HG-TEF