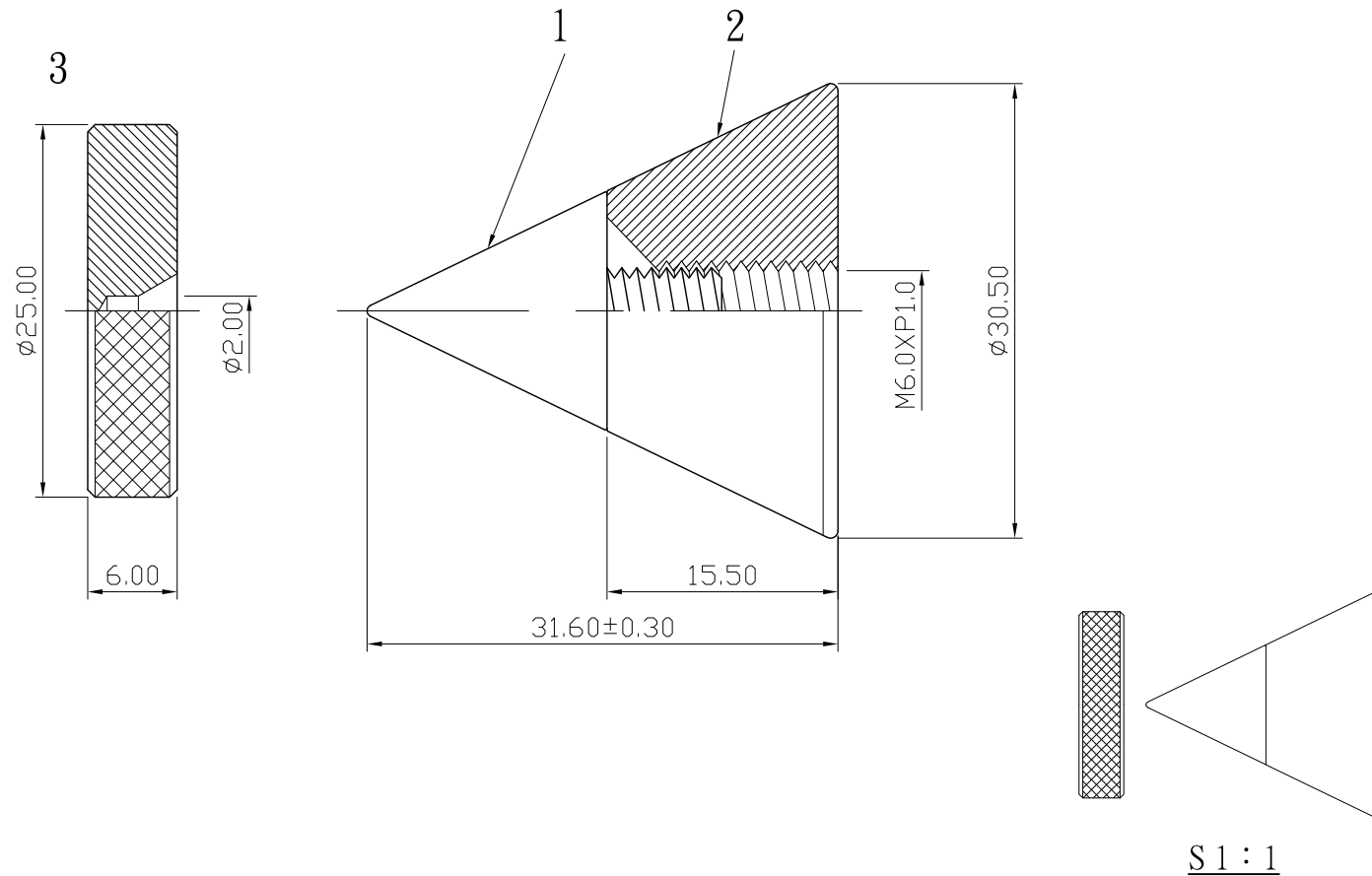



REMARK : RoHS REQUIREMENT APPLIED
(符合RoHS)



7						DIMENSIONS ARE IN MILLIMETERS UNLESS OTHERWISE PECIFIED TOLERANCES (一般公差) 0.5~6 = ±0.2 >6~30 = ±0.4 >30~120 = ±0.6 >120~315 = ±1 >315~1000 = ±1.6 ANGLES(角度) = ±5°	CHECKED	 雅鈦企業有限公司 Aec Connectors Co., Ltd.
6					DRAWN		TITLE	
5					<i>Jim</i>		SPIKE	
4							DATE	DRAWING NO.
3	plate	1	brass	gold			2007. 08. 20	SPI-203G-BIG
2	shell	1	brass	gold				FILE NO.
1	body	1	brass	gold				DRAWING\AUDIO\SPI\SPI-203G-BIG
NO.	Description	Unit	Materials	Finish	Drawing No.	SCALE	UNIT	MM
						2 : 1		