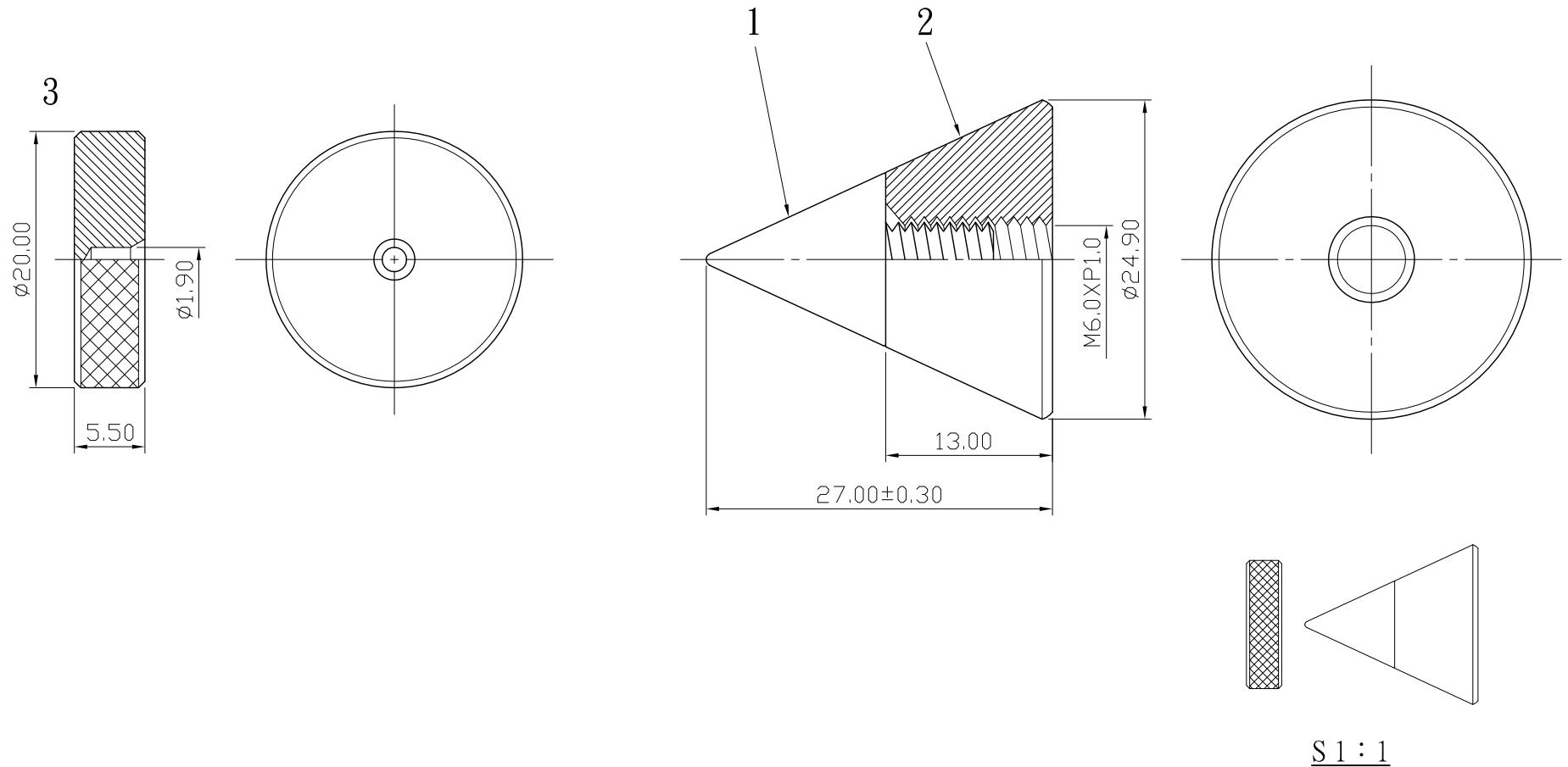



REMARK : RoHS REQUIREMENT APPLIED
(符合RoHS)



| | | | | | | | | | | | | |
|-----|-------------|------|-----------|--------|-------------|---|------------|--|-------|--------------|----------|----------------------------------|
| 7 | | | | | | DIMENSIONS ARE IN MILLIMETERS UNLESS OTHERWISE PECIFIED TOLERANCES (一般公差) 0.5~6 = ± 0.2 >6~30 = ± 0.4 >30~120 = ± 0.6 >120~315 = ± 1 >315~1000 = ± 1.6 ANGLES(角度) = $\pm 5^\circ$ | CHECKED |  雅鈦企業有限公司 Aec Connectors Co., Ltd. | | | | |
| 6 | | | | | | | | | | | | |
| 5 | | | | | | | | | TITLE | | | |
| 4 | | | | | | | | | SPIKE | | | |
| 3 | plate | 1 | brass | gold | | | DRAWN | | | | | |
| 2 | shell | 1 | brass | gold | | | <i>Jim</i> | DRAWING NO. | | | | |
| 1 | body | 1 | brass | gold | | | DATE | SPI-203G-SMALL | | | | |
| NO. | Description | Unit | Materials | Finish | Drawing No. | SCALE | 2 : 1 | UNIT | MM | 2007. 11. 08 | FILE NO. | DRAWING\AUDIO\SPI\SPI-203G-SMALL |