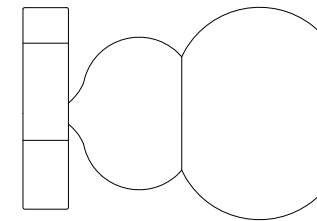
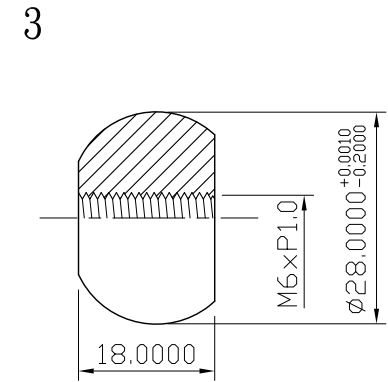
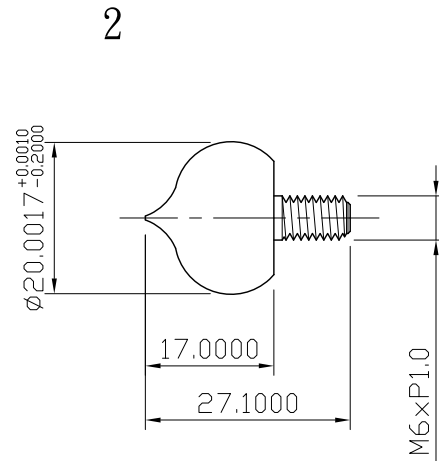
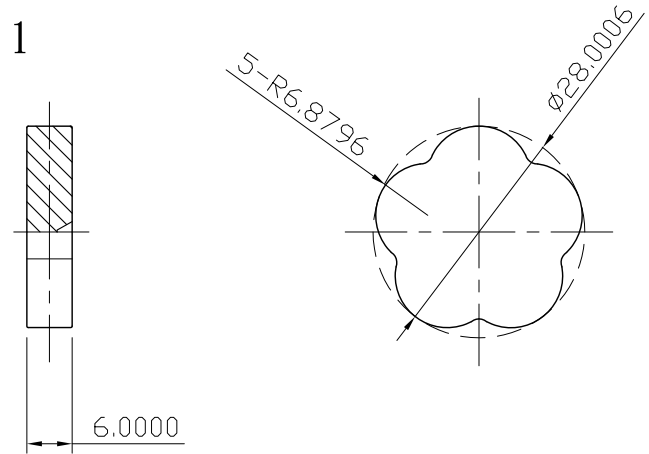



REMARK : RoHS REQUIREMENT APPLIED
(符合RoHS)



S 1 : 1

7						DIMENSIONS ARE IN MILLIMETERS UNLESS OTHERWISE PECIFIED TOLERANCES (一般公差) 0.5~6 = ±0.2 >6~30 = ±0.4 >30~120 = ±0.6 >120~315 = ±1 >315~1000 = ±1.6 ANGLES(角度) = ±5°	CHECKED	 雅鈦企業有限公司 Aec Connectors Co., Ltd.
6					DRAWN		TITLE	
5							Chad	
4							DATE	DRAWING NO.
3	headlock	1	brass	zinc alloy			2008.09.15	SPI-207ZA
2	spike	1	brass	zinc alloy			FILE NO.	
1	plate	1	brass	zinc alloy			DRAWING\AUDIO\SPI\SPI-207ZA	
NO.	Description	Unit	Materials	Finish	Drawing No.	SCALE	UNIT	MM
						1 : 1		