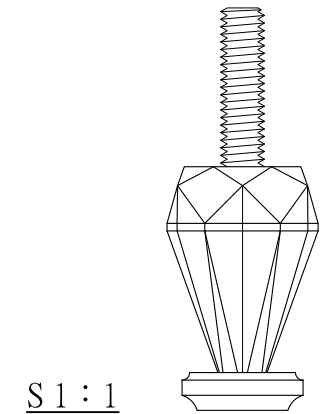
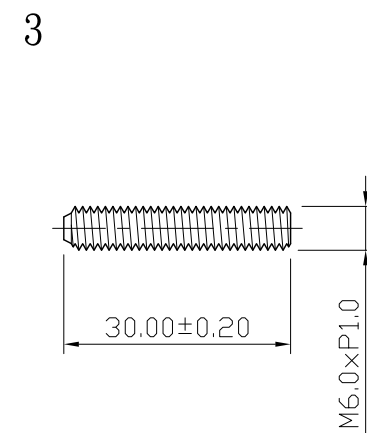
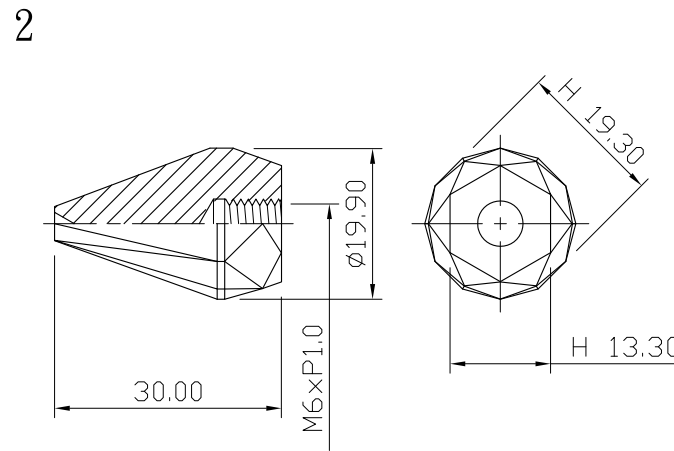
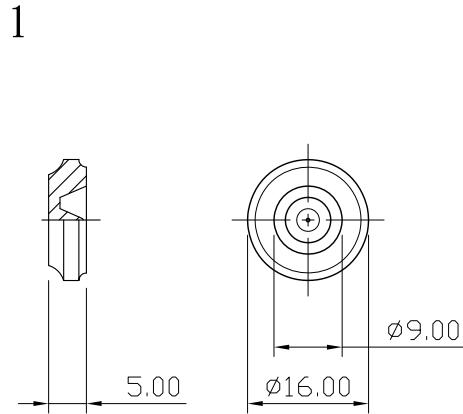



REMARK : RoHS REQUIREMENT APPLIED
(符合RoHS)



7						DIMENSIONS ARE IN MILLIMETERS UNLESS OTHERWISE SPECIFIED TOLERANCES (一般公差) 0.5~6 = ±0.2 >6~30 = ±0.4 >30~120 = ±0.6 >120~315 = ±1 >315~1000 = ±1.6 ANGLES(角度) = ±5°	CHECKED	 雅鈦企業有限公司 Aec Connectors Co., Ltd.	
6					DRAWN Otis				
5							DATE 2010. 04. 27		TITLE SPIKE
4							DRAWING NO. SPI-401GG		
3	screw	1	iron	gold			FILE NO. DRAWING\AUDIO\SPIN\SPI-401GG		
2	spike	1	brass	gold					
1	plate	1	brass	gold					
NO.	Description	Unit	Materials	Finish	Drawing No.	SCALE	1 : 1	UNIT	MM