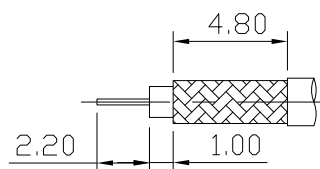
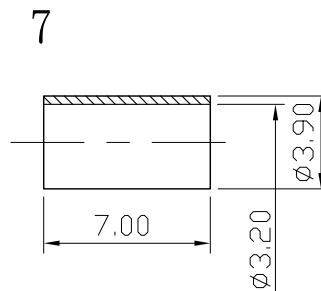
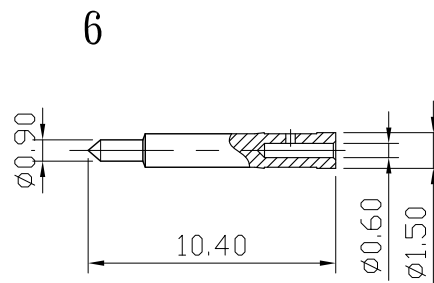
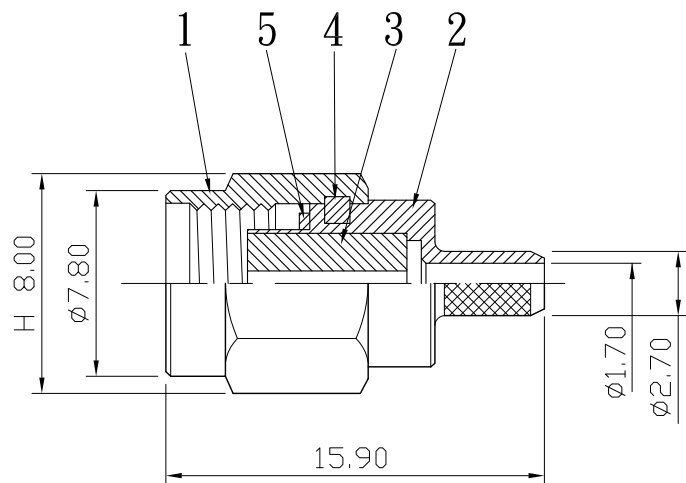
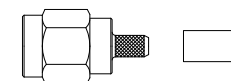



No.	DATE	DESCRIPTION	REV	REMARK : RoHS REQUIREMENT APPLIED (符合RoHS)	DATE	DRAWING NO.
					2008. 11. 21	SA-101GG-TEF(50)-174U/316U



RECOMMENDED
CABLE STRIPPING DIM'S
(建議剝線尺寸)



S 1 : 1

7	ferrule	1	brass	gold	DIMENSIONS ARE IN MILLIMETERS UNLESS OTHERWISE PECIFIED TOLERANCES (一般公差) 0.5~6 = ± 0.2 >6~30 = ± 0.4 >30~120 = ± 0.6 >120~315 = ± 1 >315~1000 = ± 1.6 ANGLES(角度) = $\pm 5^\circ$	CHECKED	 雅鈦企業有限公司 Aec Connectors Co., Ltd.			
6	contact pin	1	brass	gold				DRAWN Lala	TITLE SMA MALE CRIMP TYPE FOR RG-174/U,188/U,316/U	
5	gasket	1	silicon	red					DATE 2007. 12. 06	DRAWING NO. SA-1001GTG-SC1715
4	C ring	1	steel	passivate						FILE NO. DRAWINGRFSASA-1001GTG-SC1715
3	insulator	1	teflon	white						
2	body	1	brass	gold						
1	shell	1	brass	gold						
NO.	Description	Unit	Materials	Finish	Drawing No.	SCALE	3 : 1	UNIT	MM	