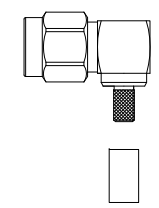
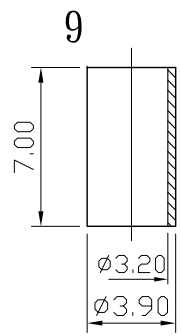
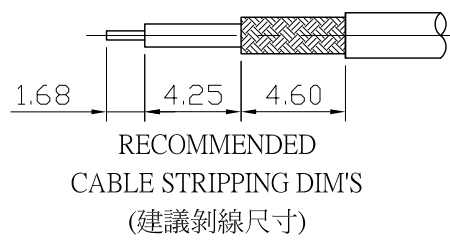
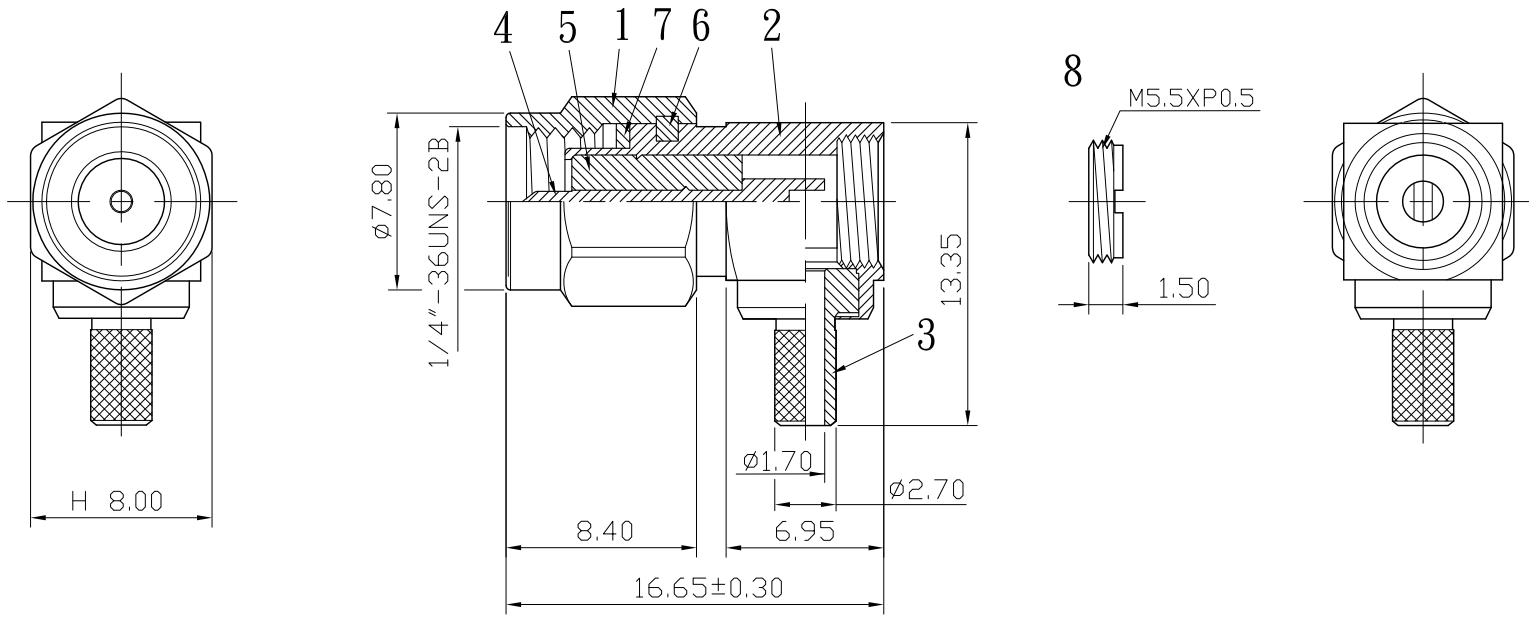


No.	DATE	DESCRIPTION	REV	REMARK : RoHS REQUIREMENT APPLIED (符合RoHS)	DATE	DRAWING NO.
					2008. 11. 21	SA-102GG-TEF(50)-174U/316U



S 1 : 1

9	ferrule	1	brass	gold	
8	cap	1	brass	gold	
7	gasket	1	silicon	red	
6	c ring	1	beryllium copper	gold	
5	insulator	1	PTFE	white	
4	contact pin	1	brass	gold	
3	body	1	brass	gold	
2	body	1	brass	gold	
1	shell	1	brass	gold	
NO.	Description	Unit	Materials	Finish	Drawing No.


DIMENSIONS ARE IN MILLIMETERS  
UNLESS OTHERWISE SPECIFIED  
TOLERANCES  
(一般公差)  
0.5~6 = ±0.2  
>6~30 = ±0.4  
>30~120 = ±0.6  
>120~315 = ±1  
>315~1000 = ±1.6  
ANGLES(角度) = ±5°

SCALE 3 : 1 UNIT MM

CHECKED

DRAWN  
*Jim*

DATE  
2008. 02. 13



雅鈦企業有限公司  
Aec Connectors Co., Ltd.

TITLE R/A SMA MALE CRIMP TYPE  
FOR RG-174/U,188/U,316/U

DRAWING NO. SA-1002GTG-RC1715

FILE NO. DRAWING\FR\FSA\SA-1002GTG-RC1715