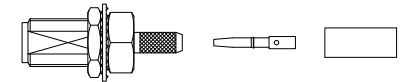
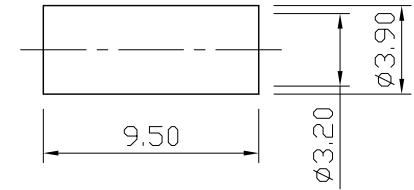
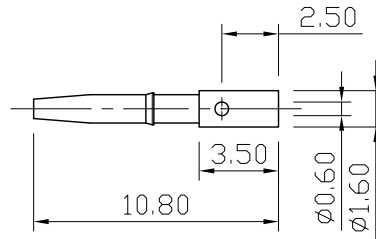
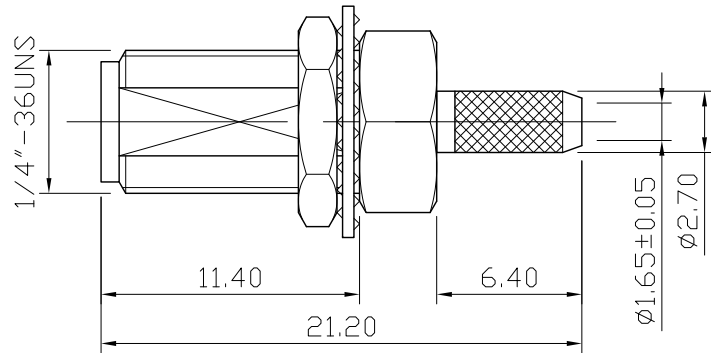



No.	DATE	DESCRIPTION	REV	REMARK : RoHS REQUIREMENT APPLIED (符合RoHS)	DATE	DRAWING NO.
△	2016. 09. 13	Design Changes (設計變更)	A		2014. 01. 06	SA-110GG(BeCu)-TEF(50)-174U



S 1 : 1

-						DIMENSIONS ARE IN MILLIMETERS  UNLESS OTHERWISE PECIFIED TOLERANCES (一般公差) 0.5~6 = ±0.2 >6~30 = ±0.4 >30~120 = ±0.6 >120~315 = ±1 >315~1000 = ±1.6 ANGLES(角度) = ±5°	CHECKED	 <b>雅鈦企業有限公司</b> Aec Connectors Co., Ltd.					
-	ferrule	1	brass	gold									
-	nut	1	brass	gold									
-	washer	1	brass	gold									
-	contact pin	1	beryllium copper	gold(3 μ")	△								
-	insulator	1	PTFE	white									
-	body	1	brass	gold									
NO.	Description	Unit	Materials	Finish	Drawing No.	SCALE	3 : 1	UNIT	MM	DATE	2014. 01. 06	TITLE	SMA FEMALE CRIMP FOR RG174,188,316/U
												DRAWING NO.	SA-1007GTG-SC1725A
												FILE NO.	DRAWING\RF\SA\SA-1007GTG-SC1725A