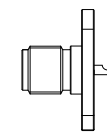
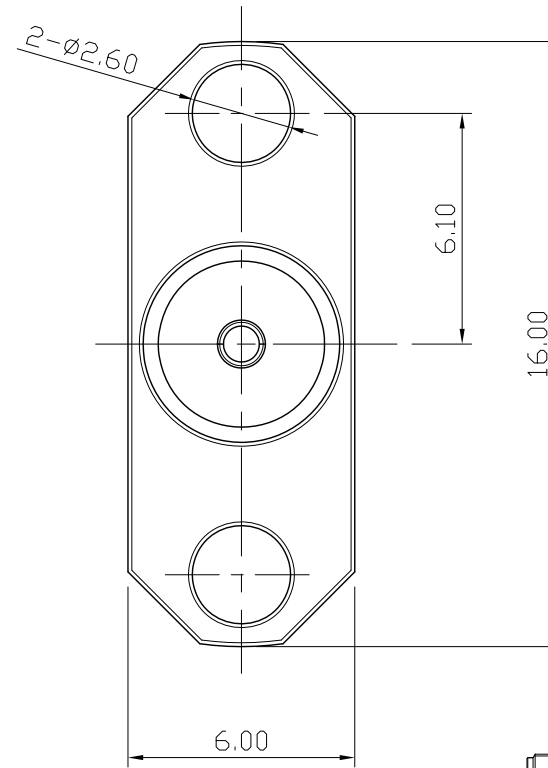
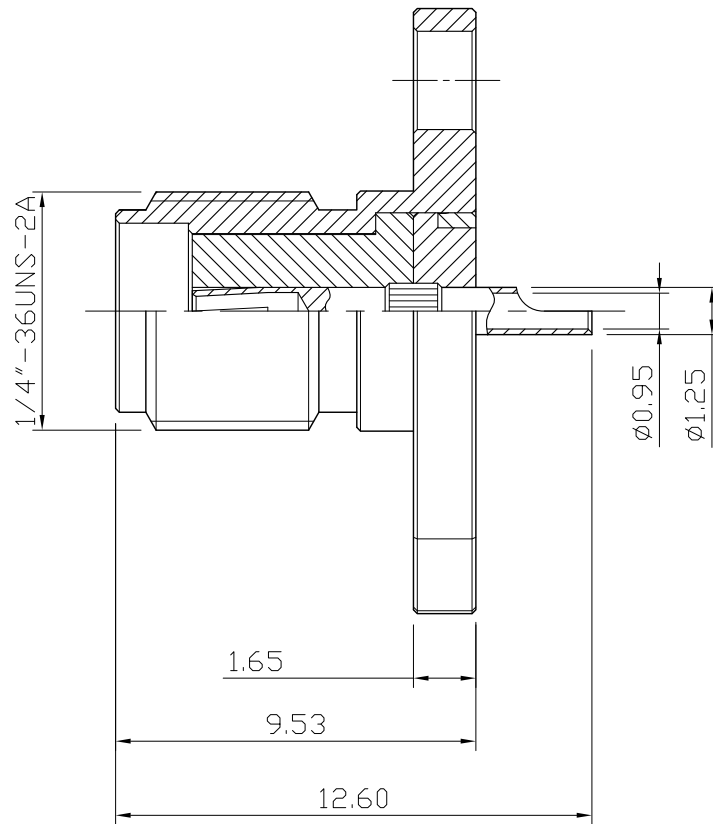



REMARK : RoHS REQUIREMENT APPLIED
(符合RoHS)



S 1 : 1

NO.	Description	Unit	Materials	Finish	Drawing No.	SCALE	5 : 1	UNIT	MM	CHECKED	DATE	FILE NO.		
-						DIMENSIONS ARE IN MILLIMETERS UNLESS OTHERWISE SPECIFIED TOLERANCES (一般公差) 0.5~6 = ±0.2 >6~30 = ±0.4 >30~120 = ±0.6 >120~315 = ±1 >315~1000 = ±1.6 ANGLES(角度) = ±5°								
-	C ring	1	brass	gold										
-	insulator	1	PTFE	white										
-	contact pin	1	phosphor bronze	gold										
-	insulator	1	PTFE	white										
-	body	1	brass	gold										
											 雅鈦企業有限公司 Aec Connectors Co., Ltd.			
											TITLE SMA FEMALE CHASSIS 2-HOLE MOUNT			
											DRAWING NO. SA-1010GTG-SE0025			
											DATE 2011. 05. 26			
											FILE NO. DRAWING\RF\SA\SA-1010GTG-SE0025			