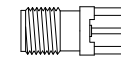
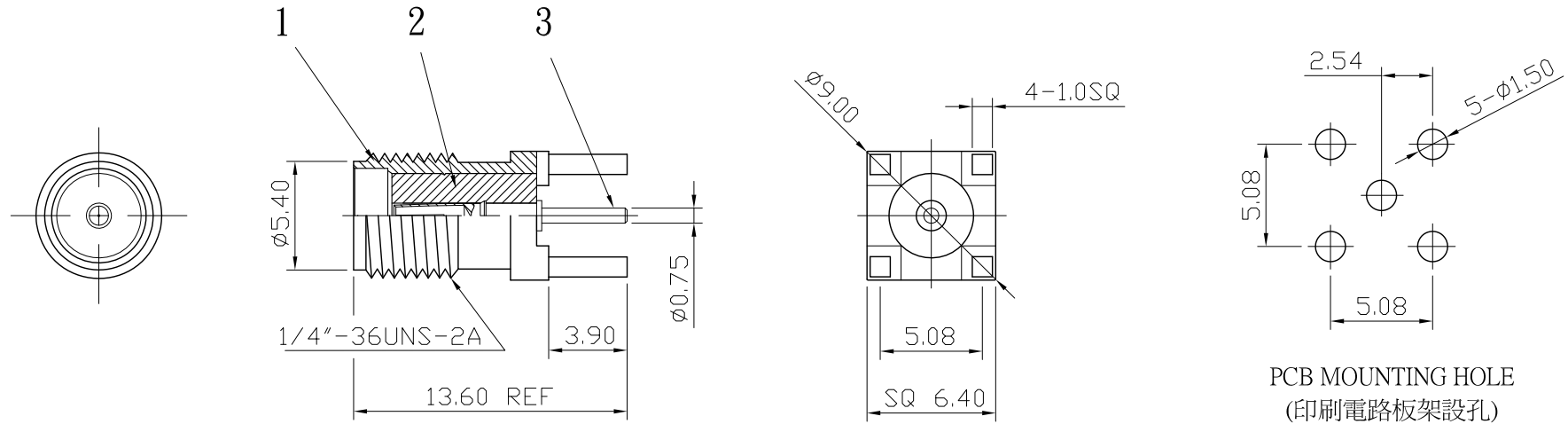



No.	DATE	DESCRIPTION	REV	REMARK : RoHS REQUIREMENT APPLIED (符合RoHS)	DATE	DRAWING NO.
△	2014. 12. 10	Drawing updated 圖面更新	A		2008. 08. 22	SA-141GG(BeCu)-TEF(50)



S 1 : 1

-						DIMENSIONS ARE IN MILLIMETERS  UNLESS OTHERWISE SPECIFIED TOLERANCES (一般公差) 0.5~6 = ±0.2 >6~30 = ±0.4 >30~120 = ±0.6 >120~315 = ±1 >315~1000 = ±1.6 ANGLES(角度) = ±5°	CHECKED	 <b>雅鈦企業有限公司</b> Aec Connectors Co., Ltd.	
-							DRAWN		TITLE
-							<i>Sun</i>		SMA FEMALE PCB MOUNT
-							DATE		DRAWING NO.
3	contact pin	1	beryllium copper	gold			2007. 12. 24	SA-1012GTG-SA0025	
2	insulator	1	PTFE	white				FILE NO. DRAWING\RFSA\SA-1012GTG-SA0025	
1	body	1	brass	gold					
NO.	Description	Unit	Materials	Finish	Drawing No.	SCALE	3 : 1	UNIT	MM