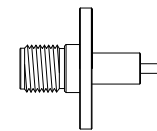
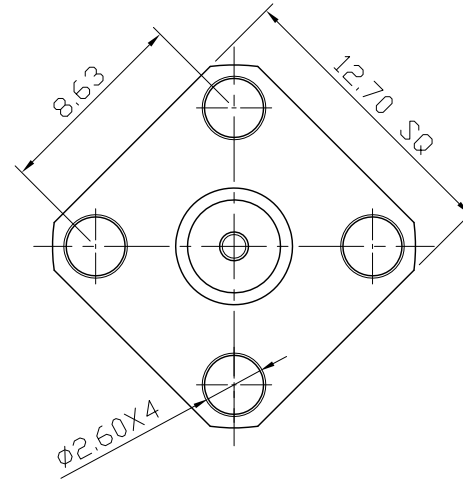
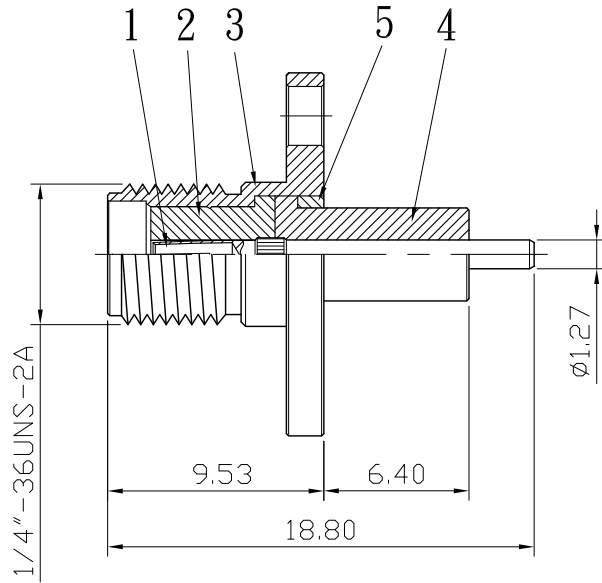



No.	DATE	DESCRIPTION	REV	REMARK : RoHS REQUIREMENT APPLIED (符合RoHS)	DATE	DRAWING NO.
					2012. 09. 04	SA-142GG(BeCu)-TEF(50)-Ro



S 1 : 1

7						DIMENSIONS ARE IN MILLIMETERS UNLESS OTHERWISE PECIFIED TOLERANCES (一般公差) 0.5~6 = ± 0.2 >6~30 = ± 0.4 >30~120 = ± 0.6 >120~315 = ± 1 >315~1000 = ± 1.6 ANGLES(角度) = $\pm 5^\circ$	CHECKED	 雅鈦企業有限公司 Aec Connectors Co., Ltd.	
6					DRAWN <i>Tina</i>				TITLE SMA FEMALE PANEL MOUNT 4-HOLE
5	C ring	1	brass	gold					DATE 2012. 09. 04
4	insulator	1	PTFE	white					FILE NO. DRAWINGRFS/SA/SA-1013GTG-SE0025
3	body	1	brass	gold					
2	insulator	1	PTFE	white					
1	contact pin	1	beryllium copper	gold					
NO.	Description	Unit	Materials	Finish	Drawing No.	SCALE	3 : 1	UNIT	MM