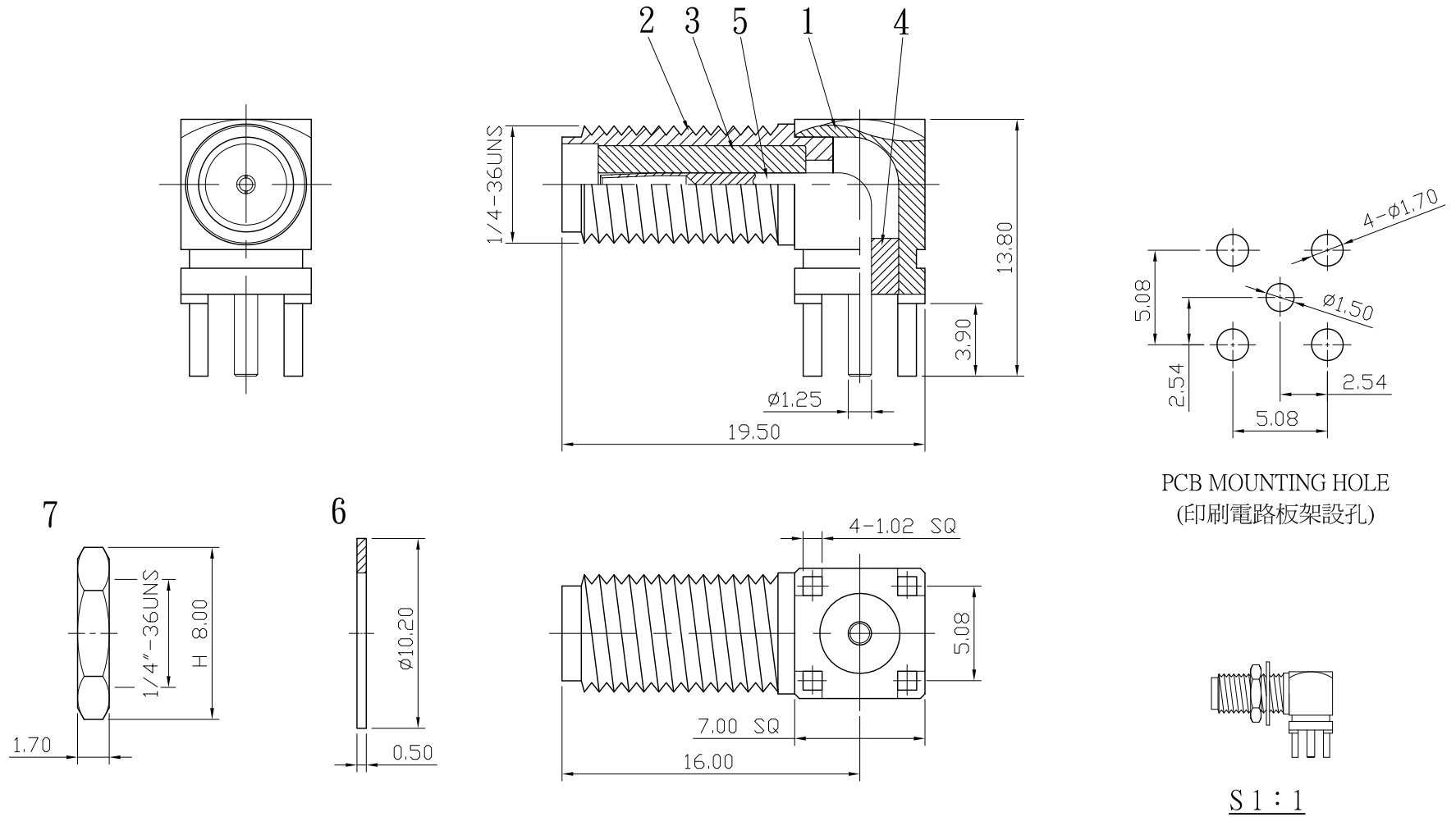



No.	DATE	DESCRIPTION	REV	REMARK : RoHS REQUIREMENT APPLIED (符合RoHS)	DATE	DRAWING NO.
△	2014. 04. 18	Drawing to renew 圖面更新	A		2011. 06. 09	SA-146GG(BeCu)-TEF(50)-W+N



7	nut	1	brass	gold	DIMENSIONS ARE IN MILLIMETERS UNLESS OTHERWISE SPECIFIED TOLERANCES (一般公差) 0.5~6 = ±0.2 >6~30 = ±0.4 >30~120 = ±0.6 >120~315 = ±1 >315~1000 = ±1.6 ANGLES(角度) = ±5°				
6	washer	1	brass	gold					
5	contact pin	1	beryllium copper	gold					
4	insulator	1	PTFE	white					
3	insulator	1	PTFE	white					
2	body	1	brass	gold					
1	body	1	brass	gold					
NO.	Description	Unit	Materials	Finish	Drawing No.	SCALE	3 : 1	UNIT	MM

CHECKED
DRAWN <i>Jim</i>
DATE 2008. 01. 18


**雅鈦企業有限公司**  
 Aec Connectors Co., Ltd.

TITLE  
**RIGHT ANGLE SMA FEMALE PCB MOUNT**

DRAWING NO.  
**SA-1016GTG-RA0025A**

FILE NO. DRAWING\RF\SA\SA-1016GTG-RA0025A