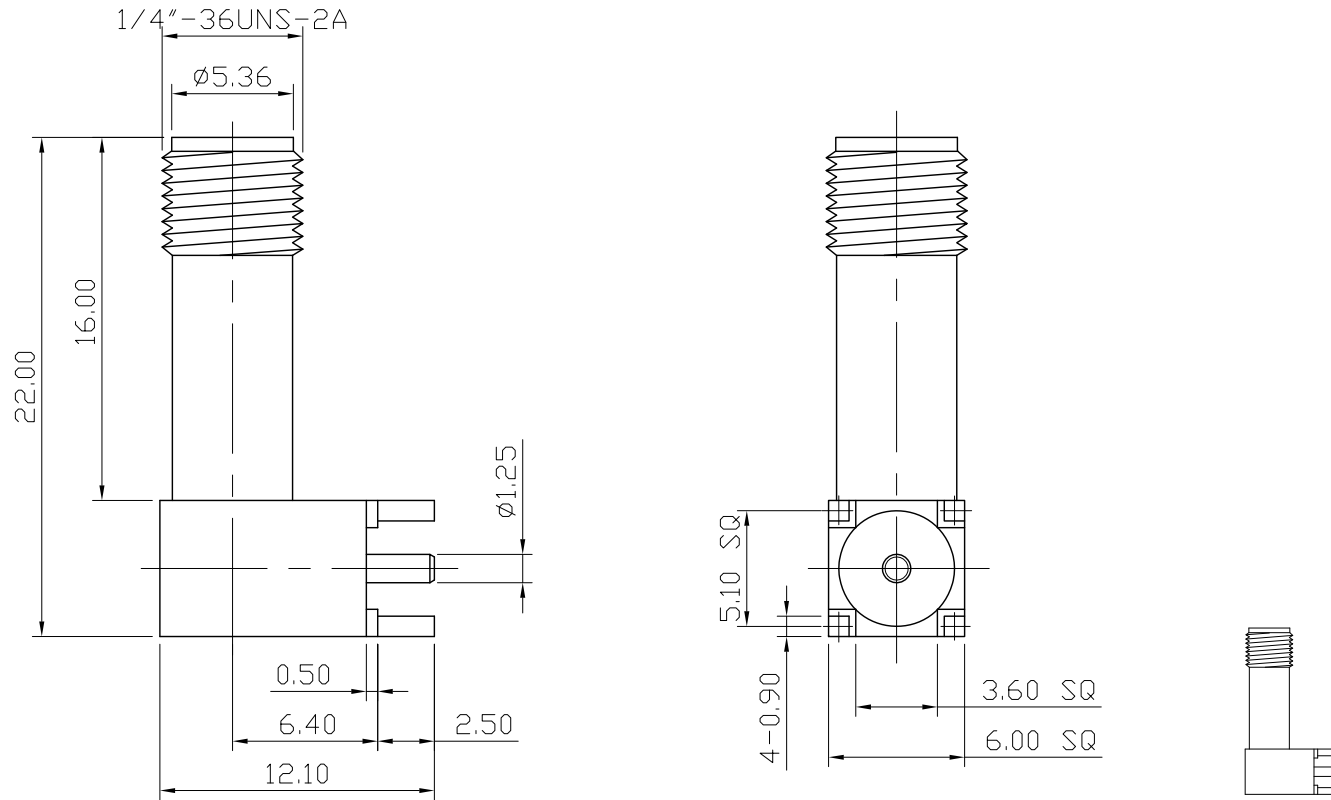



No.	DATE	DESCRIPTION	REV	REMARK : RoHS REQUIREMENT APPLIED (符合RoHS)	DATE	DRAWING NO.
-----	------	-------------	-----	---	------	-------------



S 1 : 1

-					DIMENSIONS ARE IN MILLIMETERS UNLESS OTHERWISE PECIFIED TOLERANCES (一般公差) 0.5~6 = ±0.2 >6~30 = ±0.4 >30~120 = ±0.6 >120~315 = ±1 >315~1000 = ±1.6 ANGLES(角度) = ±5°	CHECKED	 雅鈦企業有限公司 Aec Connectors Co., Ltd.		
-	insulator	1	PTFE	white		DRAWN		TITLE	
-	body	1	brass	gold		<i>Lala</i>		SMA R/A JACK FOR PCB	
-	shell	1	brass	gold		DATE	DRAWING NO.		
-	insulator	1	PTFE	white		2009. 08. 05	SA-1018GTG-RA0025		
-	contact pin	1	beryllium copper	gold		FILE NO.	DRAWING\RFSA\SA-1018GTG-RA0025		
NO.	Description	Unit	Materials	Finish	Drawing No.	SCALE	3 : 1	UNIT	MM