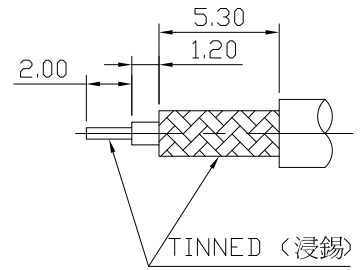
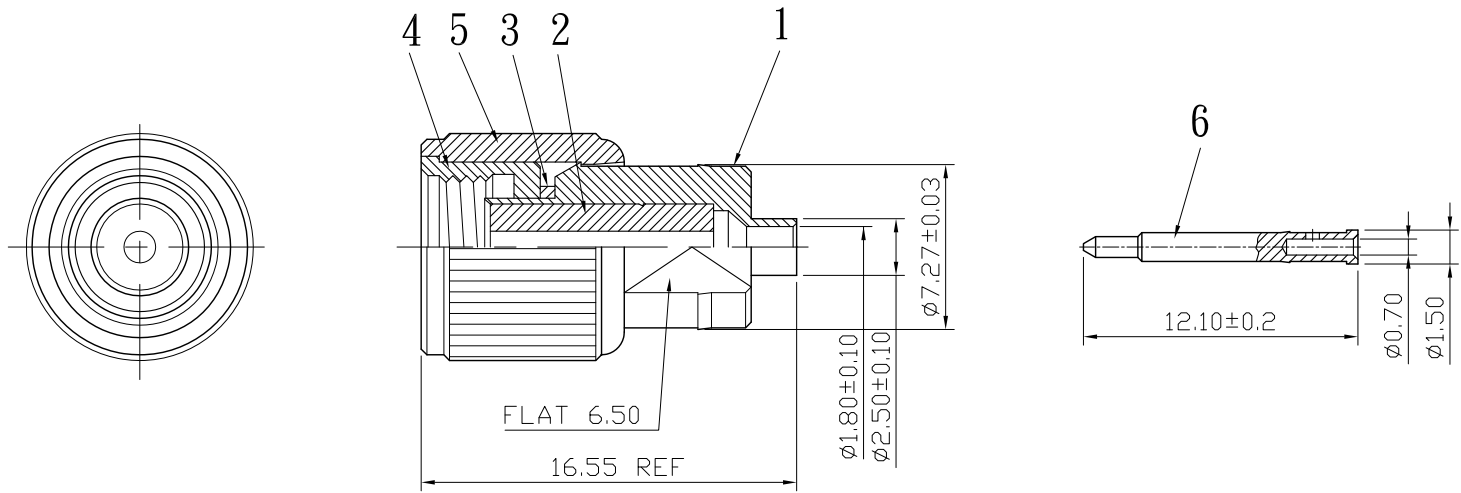
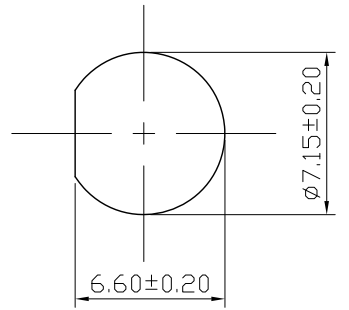


| | | | | | | |
|-----|------|-------------|-----|-----------------------------------------------|------|-------------|
| No. | DATE | DESCRIPTION | REV | REMARK : RoHS REQUIREMENT APPLIED (符合RoHS) | DATE | DRAWING NO. |
|-----|------|-------------|-----|-----------------------------------------------|------|-------------|

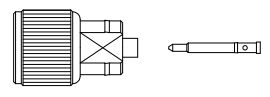


RECOMMENDED CABLE STRIPPING DIM'S
(建議剝線尺寸)




RECOMMENDED MOUNTING HOLE
(建議架設孔)

NOTES :
* AFTER ASSEMBLING THE SHELL COULD STAND
250~350 gt/cm TORSION VALUE
(組裝後外殼須承受扭力值達 250~350 gt/cm)



S 1 : 1

| | | | | | | | | | | |
|-----|-------------|------|-----------|-------------|-------------|----------------------------------------------|-------|------|----------------------|-----------------------------------------------------------------------------------------------------------------------------------|
| 7 | | | | | | DIMENSIONS ARE IN MILLIMETERS | | | CHECKED |  雅鈦企業有限公司 Aec Connectors Co., Ltd. |
| 6 | contact pin | 1 | brass | gold (10u") | | UNLESS OTHERWISE SPECIFIED TOLERANCES (一般公差) | | | DRAWN <i>Chad</i> | |
| 5 | shell | 1 | POM | black | | 0.5~6 = ±0.2 | | | | |
| 4 | body | 1 | brass | nickel | | >6~30 = ±0.4 | | | DATE 2014. 11. 19 | |
| 3 | gasket | 1 | silicone | red | | >30~120 = ±0.6 | | | | |
| 2 | insulator | 1 | PTFE | nature | | >120~315 = ±1 | | | | |
| 1 | body | 1 | brass | bright tin | | >315~1000 = ±1.6 | | | | |
| NO. | Description | Unit | Materials | Finish | Drawing No. | SCALE | 3 : 1 | UNIT | MM | FILE NO. DRAWING\RF\SA\SA-1021NTG-SC1815 |