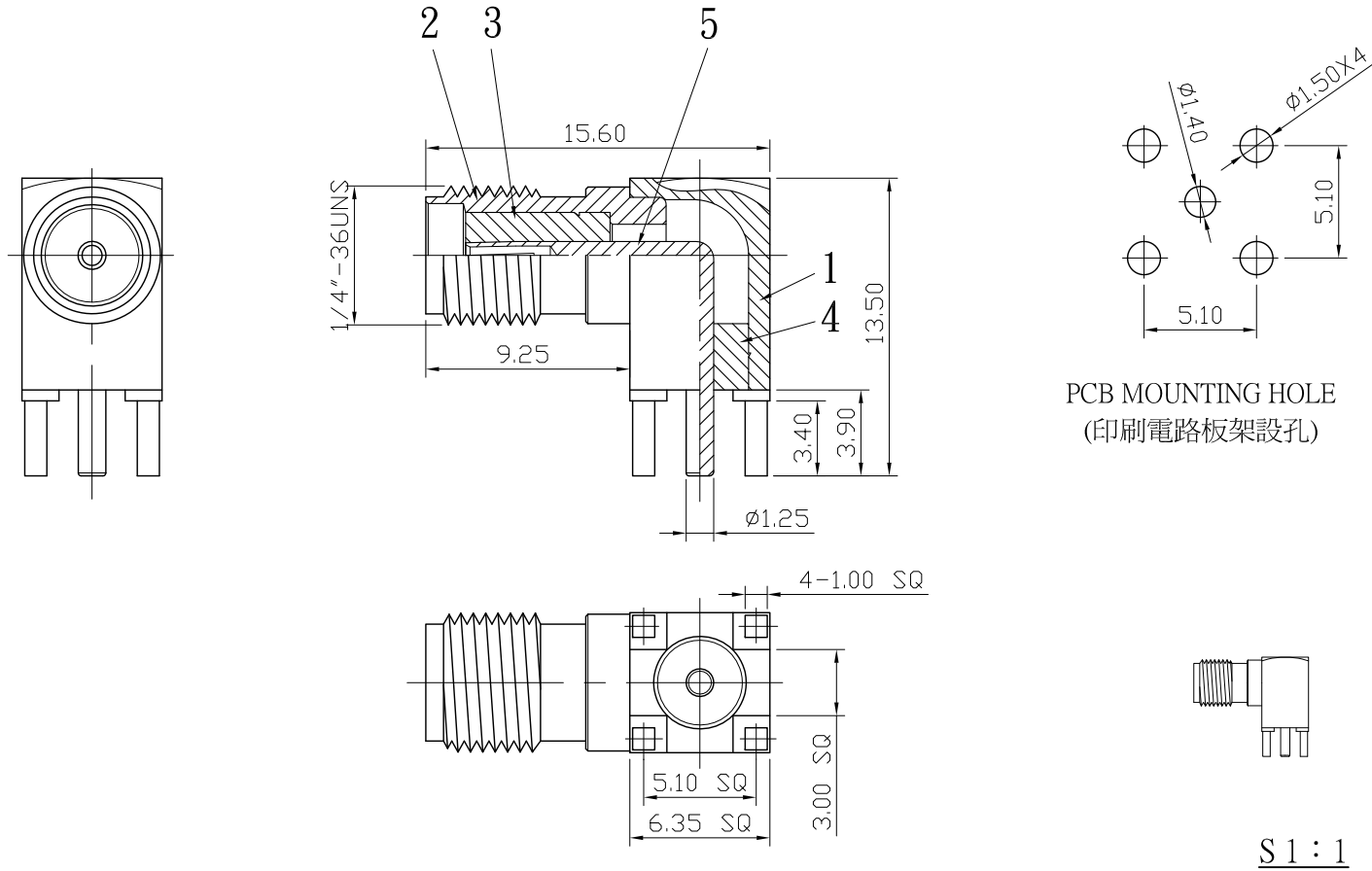



No.	DATE	DESCRIPTION	REV	REMARK : RoHS REQUIREMENT APPLIED (符合RoHS)	DATE	DRAWING NO.
-----	------	-------------	-----	-----------------------------------------------	------	-------------



7						DIMENSIONS ARE IN MILLIMETERS UNLESS OTHERWISE PECIFIED TOLERANCES (一般公差) 0.5~6 = ±0.2 >6~30 = ±0.4 >30~120 = ±0.6 >120~315 = ±1 >315~1000 = ±1.6 ANGLES(角度) = ±5°	CHECKED	 雅鈦企業有限公司 Aec Connectors Co., Ltd.	
6							DRAWN		TITLE
5	contact pin	1	beryllium copper	gold(3 μ")				<i>Jim</i>	RIGHT ANGLE SMA FEMALE PCB MOUNT
4	insulator	1	PTFE	white					DRAWING NO.
3	insulator	1	PTFE	white					SA-1023GTG-RA0025
2	body	1	brass	gold					FILE NO.
1	body	1	brass	gold				2011. 03. 14	DRAWING\FRFS\SA-1023GTG-RA0025
NO.	Description	Unit	Materials	Finish	Drawing No.	SCALE	3 : 1	UNIT	MM