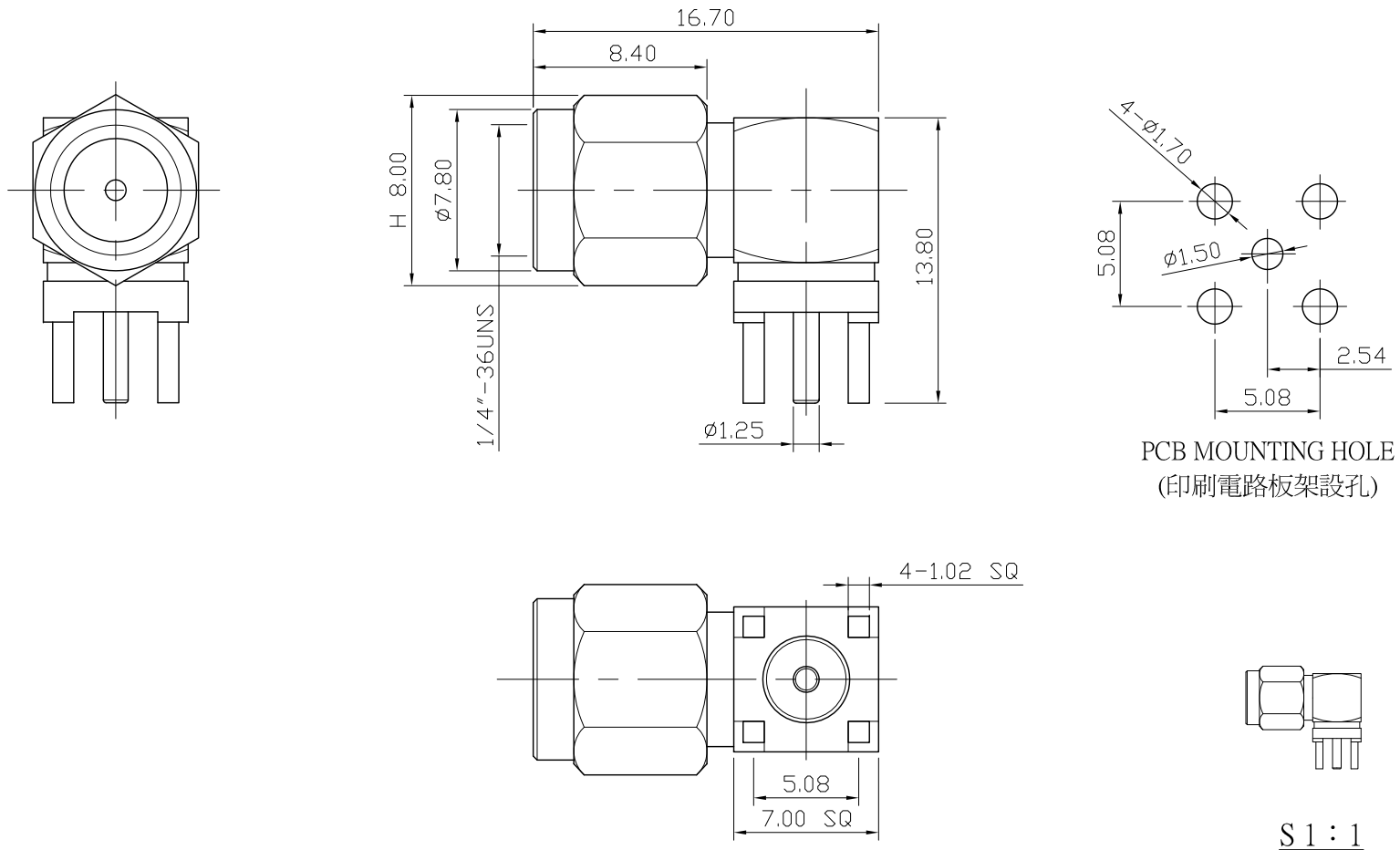



No.	DATE	DESCRIPTION	REV	REMARK : RoHS REQUIREMENT APPLIED (符合RoHS)	DATE	DRAWING NO.
-----	------	-------------	-----	---	------	-------------



-	body	1	brass	gold	
-	C ring	1	steel	none	
-	gasket	1	silicon	red	
-	contact pin	1	brass	gold(3 μ")	
-	insulator	1	PTFE	white	
-	insulator	1	PTFE	white	
-	body	1	brass	gold	
-	body	1	brass	gold	
NO.	Description	Unit	Materials	Finish	Drawing No.

DIMENSIONS ARE IN MILLIMETERS			
UNLESS OTHERWISE SPECIFIED TOLERANCES (一般公差)			
0.5~6 = ±0.2			
>6~30 = ±0.4			
>30~120 = ±0.6			
>120~315 = ±1			
>315~1000 = ±1.6			
ANGLES(角度) = ±5°			
SCALE	3 : 1	UNIT	MM

CHECKED	 雅鈦企業有限公司 Aec Connectors Co., Ltd.
DRAWN <i>Lala</i>	
DATE 2009. 11. 17	
TITLE RIGHT ANGLE SMA MALE PCB MOUNT	
DRAWING NO. SA-1024GTG-RA0015	
FILE NO. DRAWING\RF\SA\SA-1024GTG-RA0015	