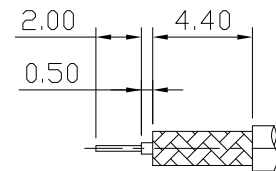
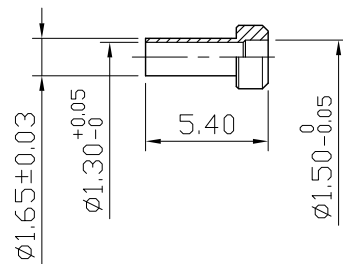
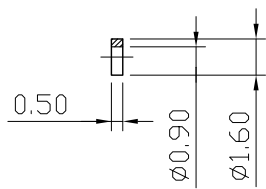
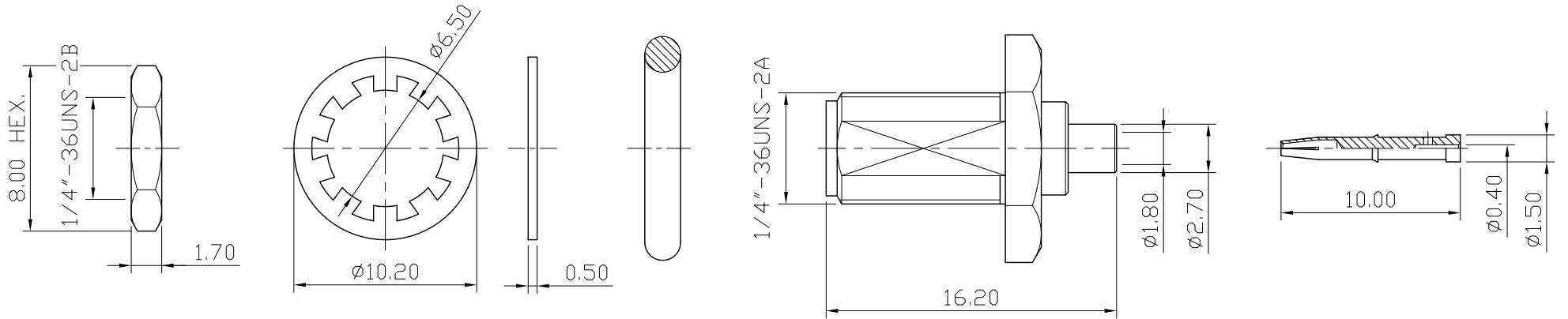
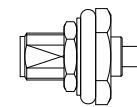


No.	DATE	DESCRIPTION	REV	REMARK : RoHS REQUIREMENT APPLIED (符合RoHS)	DATE	DRAWING NO.
-----	------	-------------	-----	---	------	-------------



RECOMMENDED CABLE ATRIPPING DIM'S
(建議剝線尺寸)



S 1 : 1


-	insulator	1	PTFE	white	
-	contact pin	1	brass	gold	
-	sleeve	1	brass	gold	
-	washer	1	brass	gold	
-	nut	1	brass	gold	
-	ring	1	silicon	red	
-	insulator	1	PTFE	white	
-	body	1	brass	gold	
NO.	Description	Unit	Materials	Finish	Drawing No.

DIMENSIONS ARE IN MILLIMETERS
UNLESS OTHERWISE SPECIFIED
TOLERANCES
(一般公差)
0.5~6 = ±0.2
>6~30 = ±0.4
>30~120 = ±0.6
>120~315 = ±1
>315~1000 = ±1.6
ANGLES(角度) = ±5°

SCALE 3 : 1 UNIT MM

CHECKED

DRAWN
Ada
DATE
2012. 09. 14



雅鈦企業有限公司
Aec Connectors Co., Ltd.

TITLE SMA JACK BULKHEAD CRIMP
FOR 1.37MM CABLE

DRAWING NO.
SA-1035GTG-SC0625

FILE NO. DRAWING\RF\SA\SA-1035GTG-SC0625