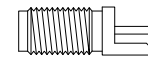
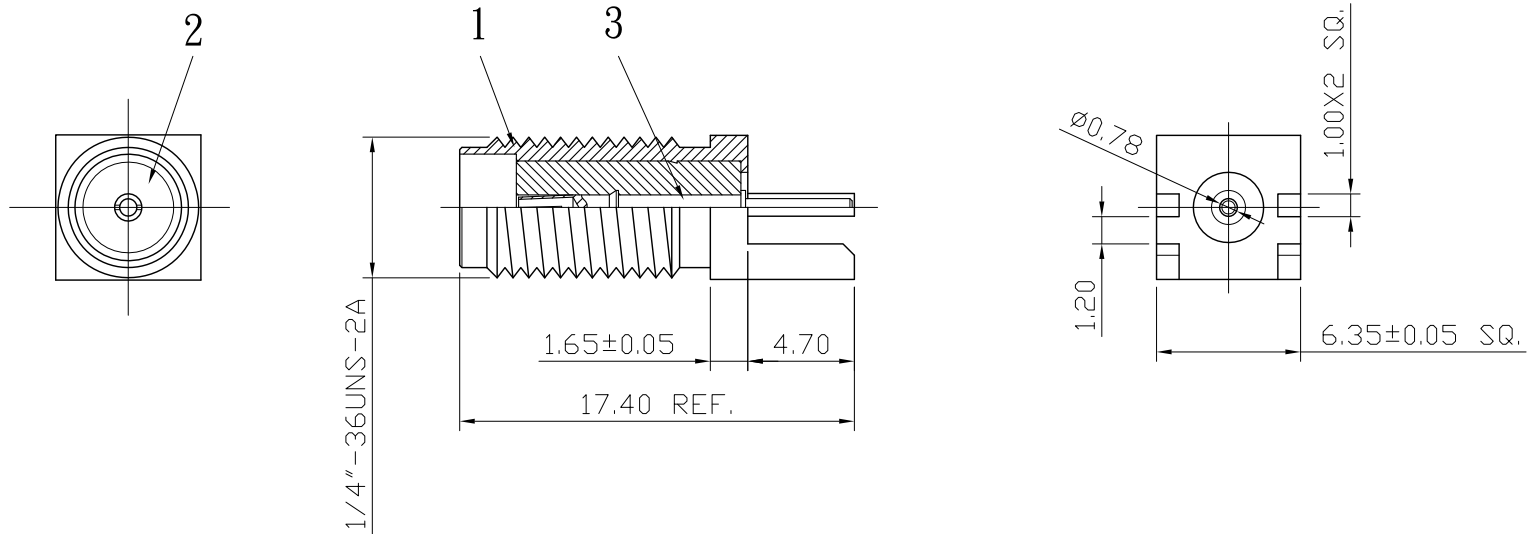



No.	DATE	DESCRIPTION	REV	REMARK : RoHS REQUIREMENT APPLIED (符合RoHS)	DATE	DRAWING NO.
					2008. 07. 04	SA-201GG(BeCu)-TEF(50)



S 1 : 1

-						DIMENSIONS ARE IN MILLIMETERS  UNLESS OTHERWISE PECIFIED TOLERANCES (一般公差) 0.5~6 = ±0.2 >6~30 = ±0.4 >30~120 = ±0.6 >120~315 = ±1 >315~1000 = ±1.6 ANGLES(角度) = ±5°	CHECKED	 雅鈦企業有限公司 Aec Connectors Co., Ltd.		
-					DRAWN				TITLE	
3	contact pin	1	beryllium copper	gold			<i>Chad</i>	SMA JACK PCB MOUNT		
2	insulator	1	PTFE	none			DATE	DRAWING NO.		
1	body	1	brass	gold		2008. 03. 03	SA-2001GTG-SA0025			
NO.	Description	Unit	Materials	Finish	Drawing No.	SCALE	3 : 1	UNIT	MM	FILE NO. DRAWING\RFSA\SA-2001GTG-SA0025