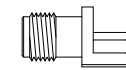
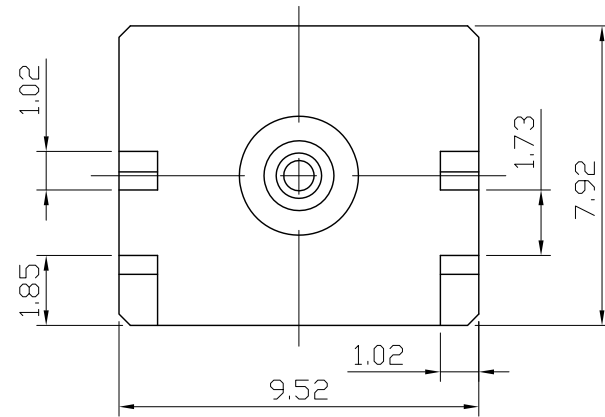
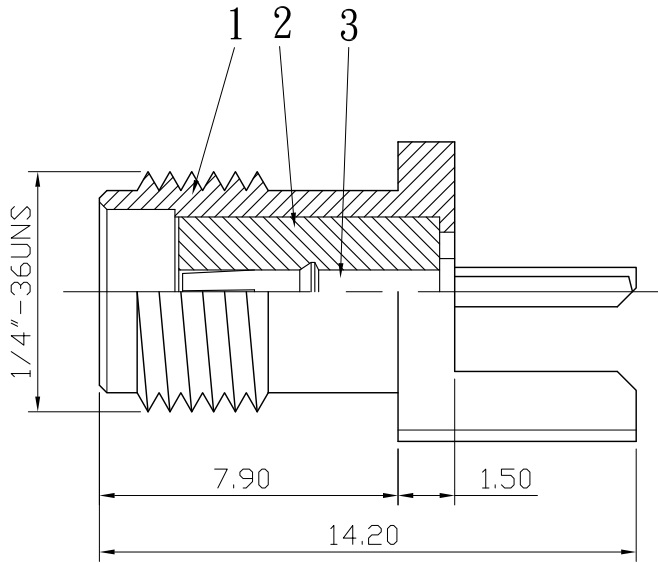



No.	DATE	DESCRIPTION	REV	REMARK : RoHS REQUIREMENT APPLIED (符合RoHS)	DATE	DRAWING NO.
					2009. 05. 22	SA-202GG(BeCu)-TEF(50)



S 1 : 1

7						DIMENSIONS ARE IN MILLIMETERS UNLESS OTHERWISE SPECIFIED TOLERANCES (一般公差) 0.5~6 = ±0.2 >6~30 = ±0.4 >30~120 = ±0.6 >120~315 = ±1 >315~1000 = ±1.6 ANGLES(角度) = ±5°	CHECKED	 雅鈦企業有限公司 Aec Connectors Co., Ltd.	
6									
5									
4								TITLE	SMA FEMALE PCB MOUNT
3	contact pin	1	beryllium copper	gold				DRAWN	Jim
2	insulator	1	PTFE	white				DATE	2008. 02. 25
1	body	1	brass	gold				FILE NO.	DRAWINGRFRFSA-SA-2002GTG-SA0025
NO.	Description	Unit	Materials	Finish	Drawing No.	SCALE	5 : 1	UNIT	MM