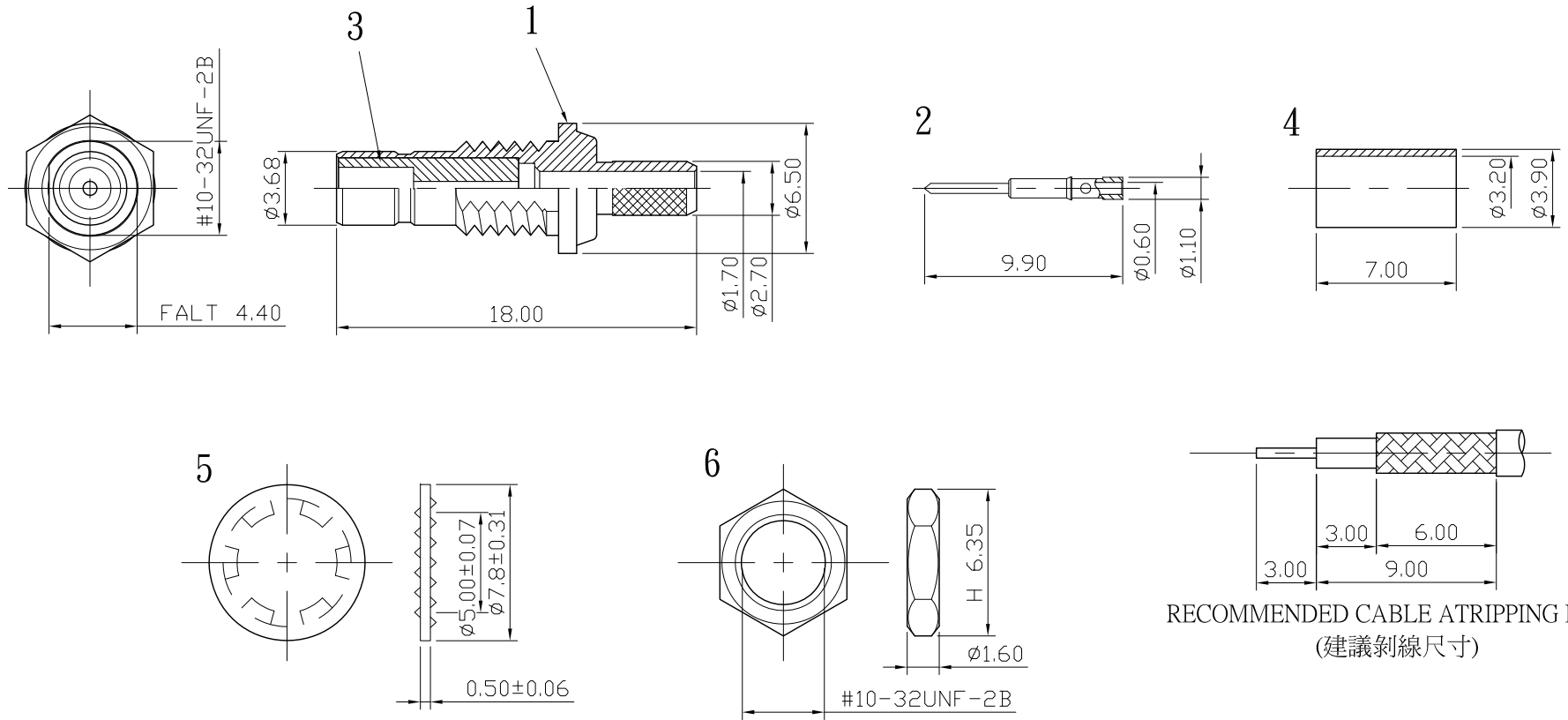
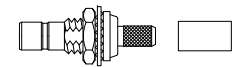



| | | | | | | |
|-----|------|-------------|-----|---|--------------|-----------------------------------|
| No. | DATE | DESCRIPTION | REV | REMARK : RoHS REQUIREMENT APPLIED (符合RoHS) | DATE | DRAWING NO. |
| | | | | | 2010. 05. 25 | SB-103GG-S-TEF(50)-174U/188U/316U |



RECOMMENDED CABLE STRIPPING DIM'S
(建議剝線尺寸)



S 1 : 1

| | | | | | | | | | | | |
|-----|-------------|------|-----------|--------|-------------|---|---------|---|--------------|--|---------------------------------|
| 7 | | | | | | DIMENSIONS ARE IN MILLIMETERS UNLESS OTHERWISE SPECIFIED TOLERANCES (一般公差) 0.5~6 = ±0.2 >6~30 = ±0.4 >30~120 = ±0.6 >120~315 = ±1 >315~1000 = ±1.6 ANGLES(角度) = ±5° | CHECKED |  雅鈦企業有限公司 Aec Connectors Co., Ltd. | | | |
| 6 | nut | 1 | brass | gold | | | | | | | |
| 5 | washer | 1 | brass | gold | | | | | | | |
| 4 | ferrule | 1 | brass | gold | | | | | TITLE | SMB FEMALE BULKHEAD CRIMP FOR RG174/U, 188/U, 316/U | |
| 3 | insulator | 1 | teflon | white | | | DRAWN | | <i>Otis</i> | DRAWING NO. | SB-1004GTG-SC1725 |
| 2 | contact pin | 1 | brass | gold | | | DATE | | 2007. 12. 17 | FILE NO. | DRAWING\RF\SB\SB-1004GTG-SC1725 |
| 1 | body | 1 | brass | gold | | | | | | | |
| NO. | Description | Unit | Materials | Finish | Drawing No. | SCALE | 3 : 1 | UNIT | MM | | |