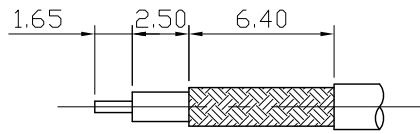
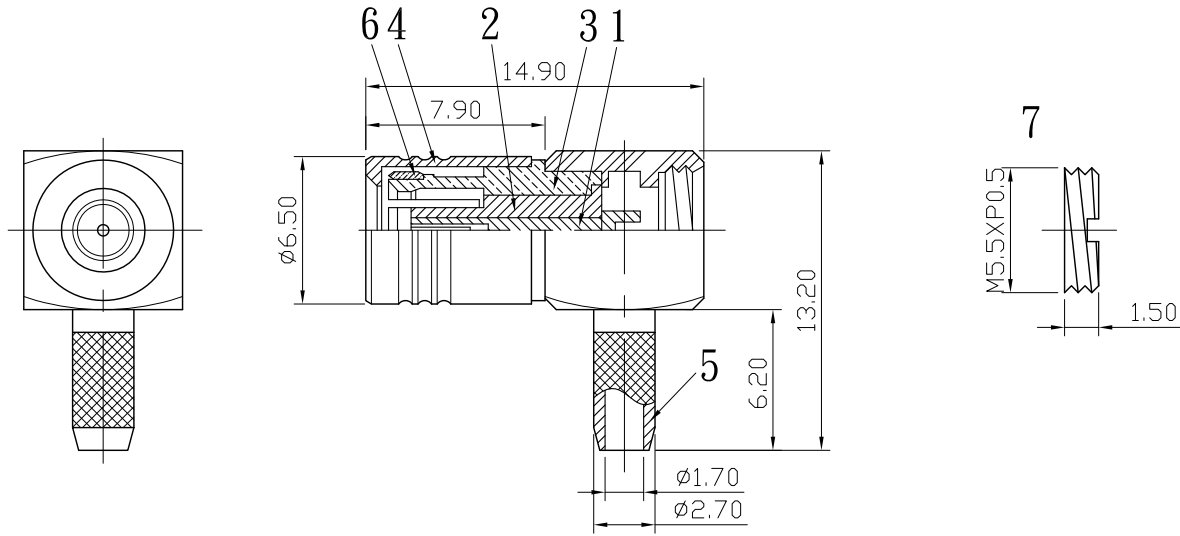
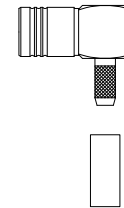
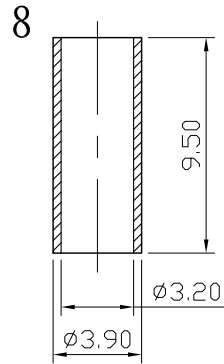


| | | | | | | |
|-----|------|-------------|-----|-----------------------------------------------|--------------|----------------------------------|
| No. | DATE | DESCRIPTION | REV | REMARK : RoHS REQUIREMENT APPLIED (符合RoHS) | DATE | DRAWING NO. |
| | | | | | 2008. 08. 07 | SB-104GG(BeCu)-TEF(50)-174U/316U |



RECOMMENDED CABLE STRIPPING DIM'S
(建議剝線尺寸)




S 1 : 1

| | | | | | |
|-----|-------------|------|------------------|--------|-------------|
| 8 | ferrule | 1 | brass | gold | |
| 7 | cap | 1 | brass | gold | |
| 6 | C ring | 1 | beryllium copper | gold | |
| 5 | body | 1 | brass | gold | |
| 4 | shell | 1 | brass | gold | |
| 3 | body | 1 | brass | gold | |
| 2 | insulator | 1 | teflon | white | |
| 1 | contact pin | 1 | beryllium copper | gold | |
| NO. | Description | Unit | Materials | Finish | Drawing No. |

| | | |
|----------------------------------------------|--------|---------|
| DIMENSIONS ARE IN MILLIMETERS | | |
| UNLESS OTHERWISE SPECIFIED TOLERANCES (一般公差) | | |
| 0.5~6 | = ±0.2 | |
| >6~30 | = ±0.4 | |
| >30~120 | = ±0.6 | |
| >120~315 | = ±1 | |
| >315~1000 | = ±1.6 | |
| ANGLES(角度) = ±5° | | |
| SCALE | 3 : 1 | UNIT MM |

| |
|----------------------|
| CHECKED |
| DRAWN <i>Tina</i> |
| DATE 2007. 12. 19 |

| | | |
|-----------------------------------------------------------------------------------------------------------------------------------|-------------|-------------------------------------------------------|
|  雅鈦企業有限公司 Aec Connectors Co., Ltd. | TITLE | SMB MALE RIGHT ANGLE CRIMP FOR RG-174/U, 188/U, 316/U |
| | DRAWING NO. | SB-1005GTG-RC1715 |
| | FILE NO. | DRAWING\RF\SB\SB-1005GTG-RC1715 |