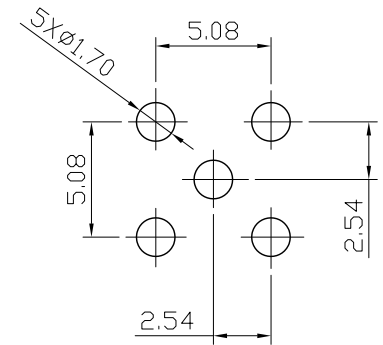
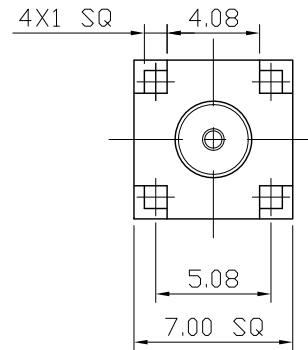
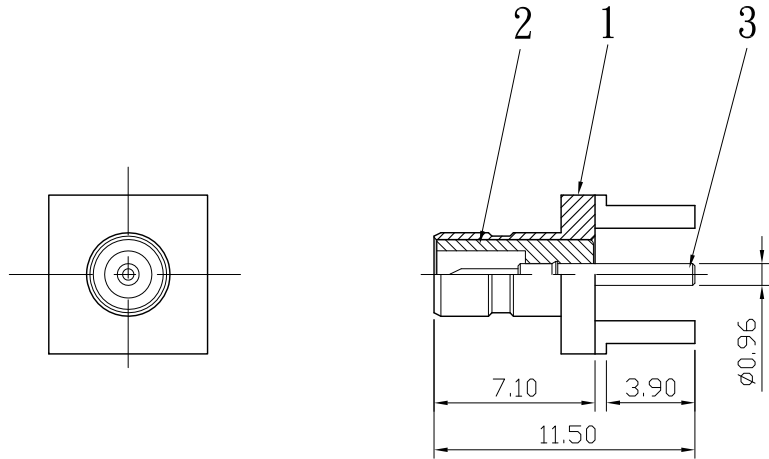
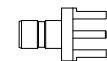



No.	DATE	DESCRIPTION	REV	REMARK : RoHS REQUIREMENT APPLIED (符合RoHS)	DATE	DRAWING NO.
					2008. 07. 16	SB-110GG-TEF(50)



PCB MOUNTING HOLE
(印刷电路板架設孔)



S 1 : 1

7						DIMENSIONS ARE IN MILLIMETERS UNLESS OTHERWISE PECIFIED TOLERANCES (一般公差) 0.5~6 = ±0.2 >6~30 = ±0.4 >30~120 = ±0.6 >120~315 = ±1 >315~1000 = ±1.6 ANGLES(角度) = ±5°	CHECKED	 雅鈦企業有限公司 Aec Connectors Co., Ltd.	
6									
5									
4								TITLE	SMB FEMALE PCB MOUNT
3	contact pin	1	brass	gold				DRAWN	Jim
2	insulator	1	PTFE	white				DATE	2007. 11. 06
1	body	1	brass	gold					DRAWING NO.
NO.	Description	Unit	Materials	Finish	Drawing No.	SCALE	3 : 1	UNIT	MM
								FILE NO.	DRAWINGRFSB\SB-1007GTG-SA0025