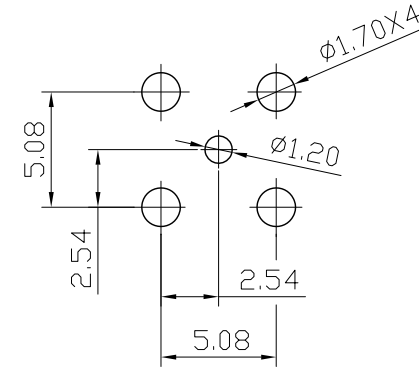
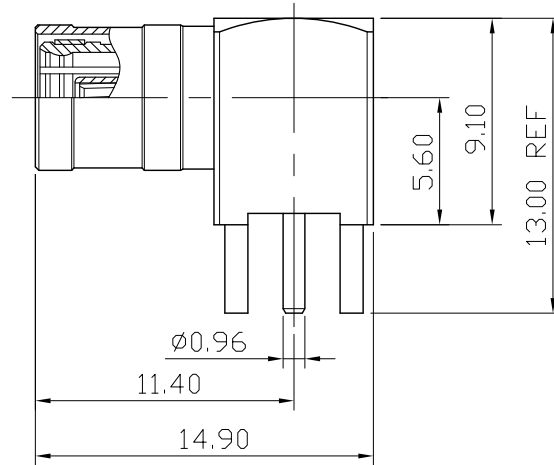
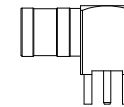
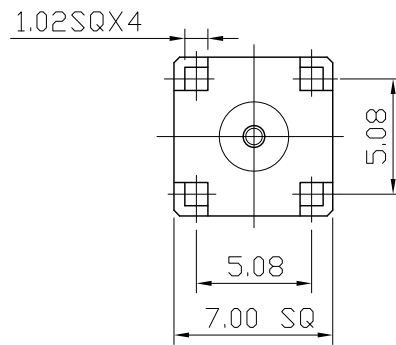



No.	DATE	DESCRIPTION	REV	REMARK : RoHS REQUIREMENT APPLIED (符合RoHS)	DATE	DRAWING NO.
-----	------	-------------	-----	---	------	-------------



P.C.B. LAYOUT
(印刷电路板配置)



S 1 : 1

-	insulator	1	teflon	white		DIMENSIONS ARE IN MILLIMETERS UNLESS OTHERWISE PECIFIED TOLERANCES (一般公差) 0.5~6 = ±0.2 >6~30 = ±0.4 >30~120 = ±0.6 >120~315 = ±1 >315~1000 = ±1.6 ANGLES(角度) = ±5°	CHECKED	 雅鈦企業有限公司 Aec Connectors Co., Ltd.	
-	shell	1	brass	gold			DRAWN <i>Lala</i>		TITLE RIGHT ANGLE SMB MALE PCB MOUNT
-	C ring	1	beryllium copper	none					DATE 2008. 09. 01
-	body	1	brass	gold				FILE NO. DRAWING\RF\SB\SB-1008GTG-RA0015	
-	insulator	1	teflon	white					
-	contact pin	1	beryllium copper	gold					
-	body	1	brass	gold					
NO.	Description	Unit	Materials	Finish	Drawing No.		SCALE	3 : 1	UNIT