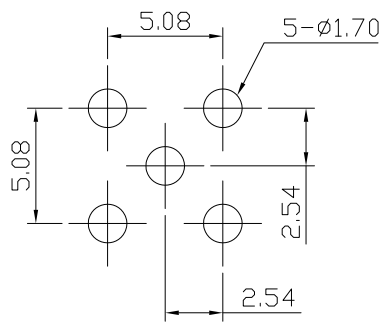
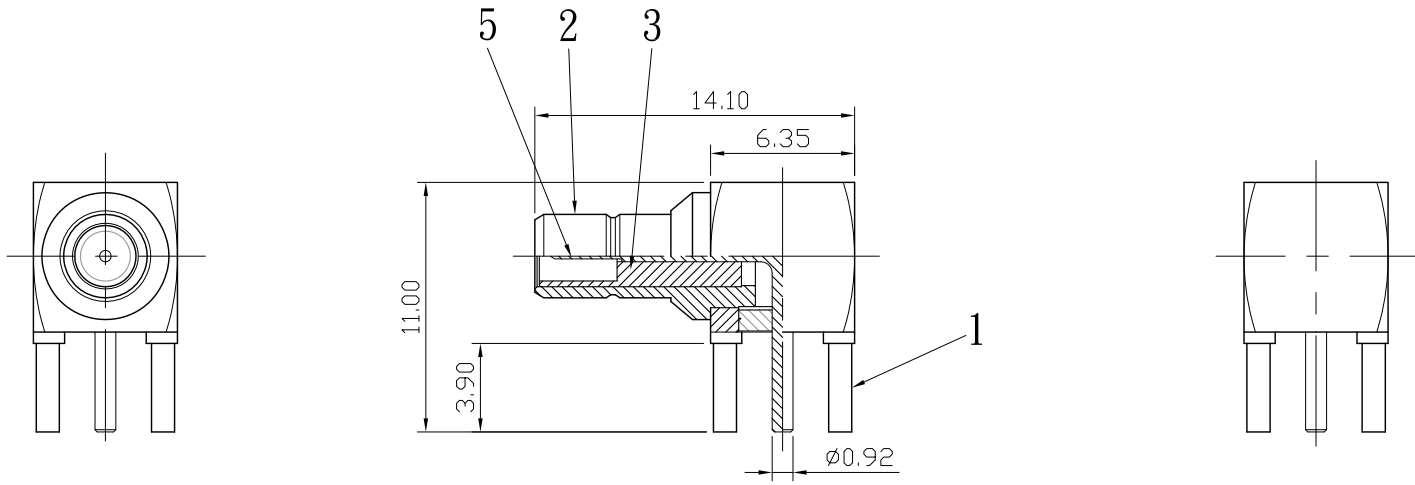
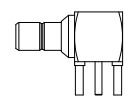
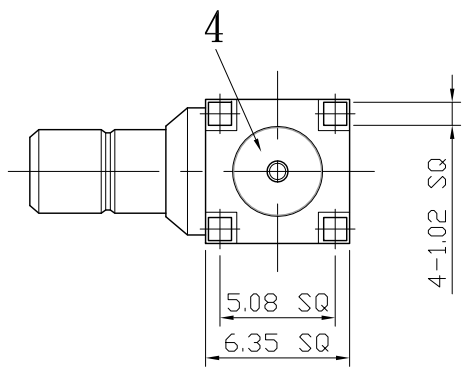



No.	DATE	DESCRIPTION	REV	REMARK : RoHS REQUIREMENT APPLIED (符合RoHS)	DATE	DRAWING NO.
					2008. 10. 27	SB-112GG-TEF(50)



PCB MOUNTING HOLE
(印刷电路板架設孔)



S 1 : 1

-						DIMENSIONS ARE IN MILLIMETERS UNLESS OTHERWISE SPECIFIED TOLERANCES (一般公差) 0.5~6 = ± 0.2 >6~30 = ± 0.4 >30~120 = ± 0.6 >120~315 = ± 1 >315~1000 = ± 1.6 ANGLES(角度) = $\pm 5^\circ$	CHECKED	 雅鈦企業有限公司 Aec Connectors Co., Ltd.	
-							TITLE		
5	contact pin	1	brass	gold			DRAWN	RIGHT ANGLE SMB FEMALE PCB MOUNT	
4	insulator	1	teflon	white			<i>Lala</i>	DRAWING NO.	
3	insulator	1	teflon	white			DATE	SB-1009GTG-RA0025	
2	body	1	brass	gold		2007. 06. 25	FILE NO.		
1	body	1	brass	gold			DRAWINGRFSB/BSB-1009GTG-RA0025		
NO.	Description	Unit	Materials	Finish	Drawing No.	SCALE	3 : 1	UNIT	MM