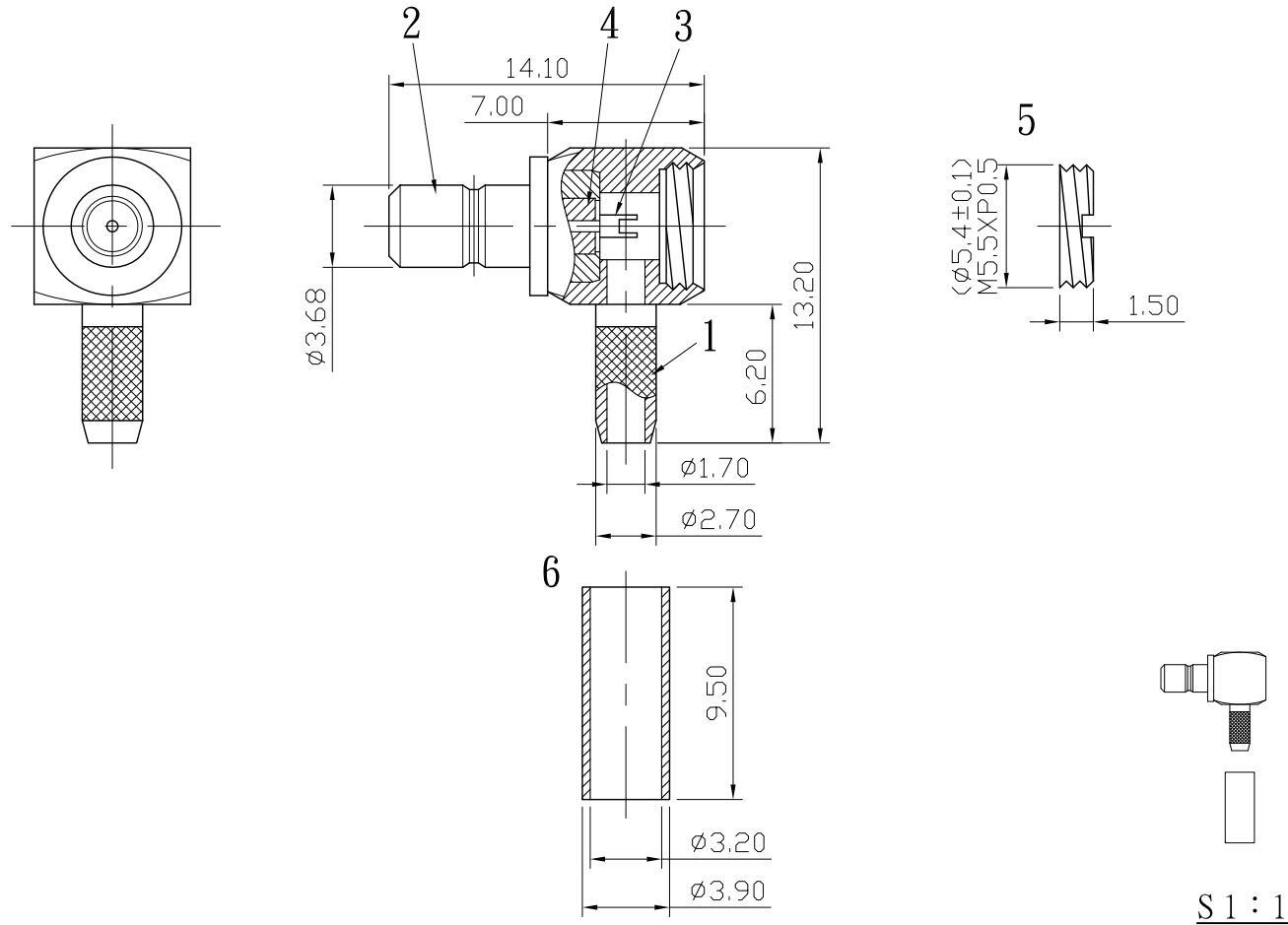



No.	DATE	DESCRIPTION	REV	REMARK : RoHS REQUIREMENT APPLIED (符合RoHS)	DATE	DRAWING NO.
					2009. 02. 26	SB-117GG-TEF(50)-174U



7						DIMENSIONS ARE IN MILLIMETERS UNLESS OTHERWISE SPECIFIED TOLERANCES (一般公差) 0.5~6 = ±0.2 >6~30 = ±0.4 >30~120 = ±0.6 >120~315 = ±1 >315~1000 = ±1.6 ANGLES(角度) = ±5°	CHECKED	 雅鈦企業有限公司 Aec Connectors Co., Ltd.	
6	ferrule	1	brass	gold			DRAWN		TITLE
5	cap	1	brass	gold			<i>Lala</i>		RIGHT ANGLE SMB FEMALE CRIMP FOR RG-174/U,188/U,316/U
4	insulator	1	teflon	white				DATE	DRAWING NO.
3	contact pin	1	beryllium copper	gold				2007. 12. 17	SB-1013GTG-RC1725
2	insulator	1	PTFE	gold				FILE NO.	DRAWINGRFSB/SB-1013GTG-RC1725
1	body	1	brass	gold					
NO.	Description	Unit	Materials	Finish	Drawing No.	SCALE	3 : 1	UNIT	MM