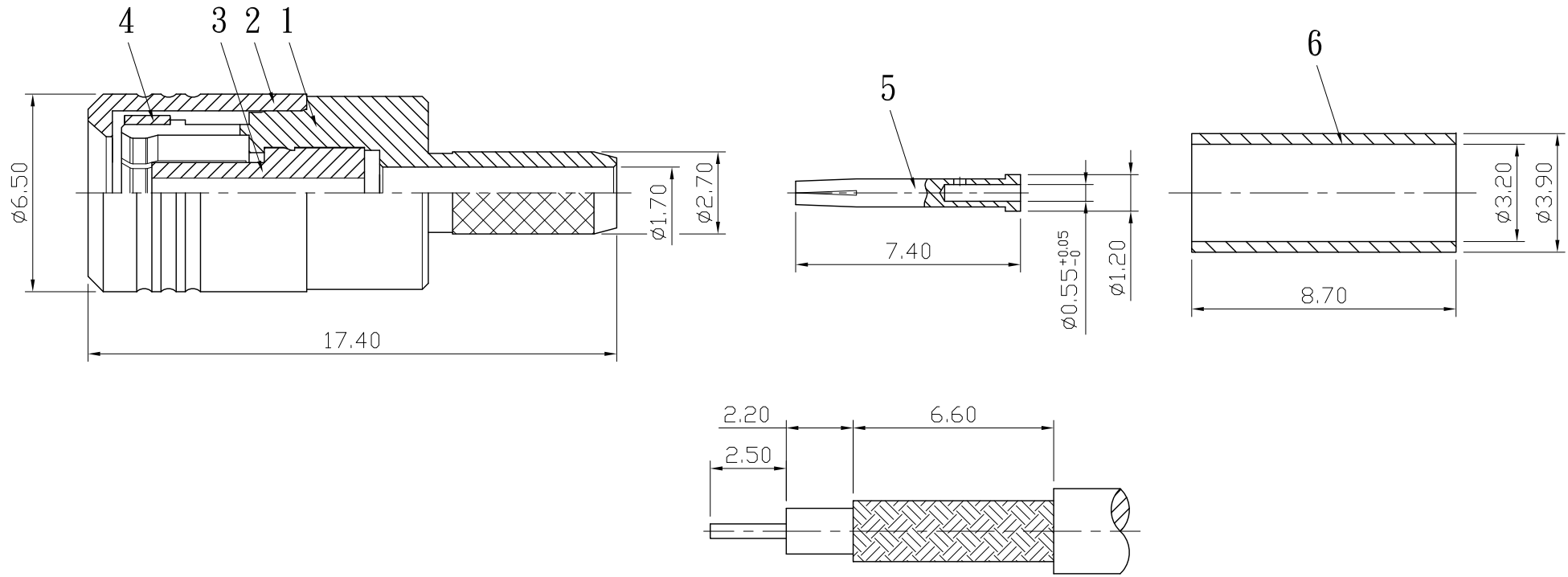
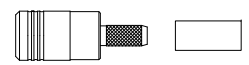


No.	DATE	DESCRIPTION	REV	REMARK : RoHS REQUIREMENT APPLIED (符合RoHS)	DATE	DRAWING NO.
-----	------	-------------	-----	---	------	-------------



RECOMMENDED CABLE ATRIPPING DIM'S
(建議剝線尺寸)



S 1 : 1

7						DIMENSIONS ARE IN MILLIMETERS UNLESS OTHERWISE SPECIFIED TOLERANCES (一般公差) 0.5~6 = ±0.1 >6~30 = ±0.15 >30~120 = ±0.2 >120~315 = ±0.3 >315~1000 = ±0.4 ANGLES(角度) = ±3°	APPROVED	雅鈦企業有限公司 Aec Connectors Co., Ltd.	
6	ferrule	1	brass	gold	CHECKED		TITLE		
5	contact pin	1	phosphor bronze	gold	DRAWN		SMB MALE CRIMP FOR RG-174/U,188/U,316/U		
4	C ring	1	beryllium copper	gold	DATE		DRAWING NO.	SB-1020GTG-SC1715	
3	insulator	1	teflon	white	2008.09.01		FILE NO.	DRAWING\RF\SB\SB-1020GTG-SC1715	
2	shell	1	brass	gold					
1	body	1	brass	gold					
NO.	Description	Unit	Materials	Finish	Drawing No.	SCALE	5 : 1	UNIT	MM