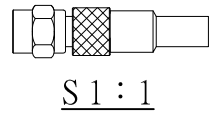
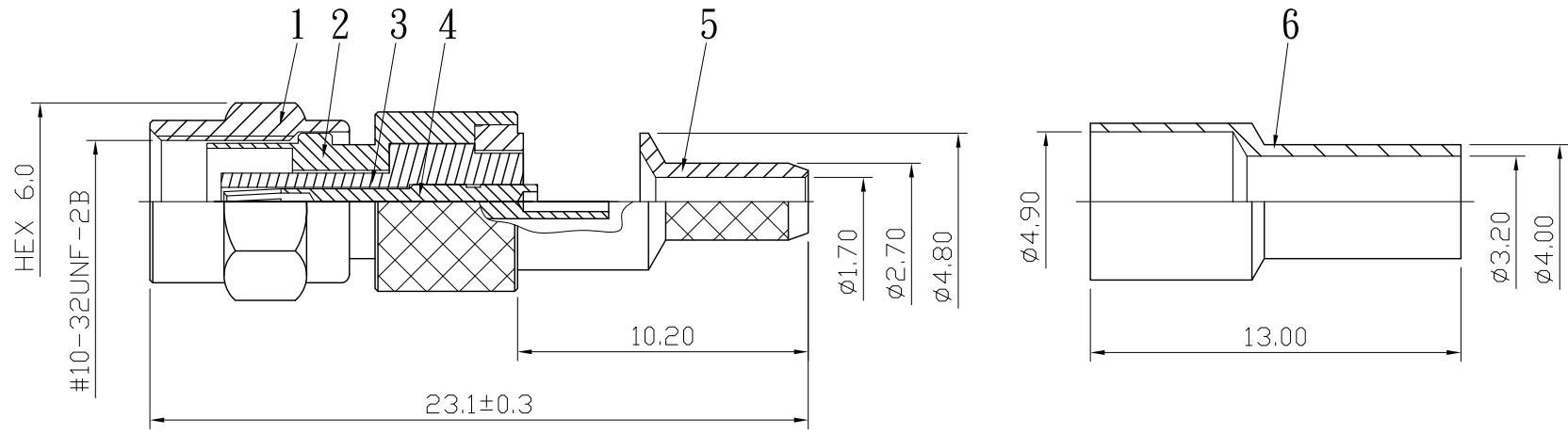



No.	DATE	DESCRIPTION	REV	REMARK : RoHS REQUIREMENT APPLIED (符合RoHS)	DATE	DRAWING NO.
-----	------	-------------	-----	---	------	-------------



						DIMENSIONS ARE IN MILLIMETERS UNLESS OTHERWISE SPECIFIED TOLERANCES (一般公差) 0.5~6 = ±0.2 >6~30 = ±0.4 >30~120 = ±0.6 >120~315 = ±1 >315~1000 = ±1.6 ANGLES(角度) = ±5°	CHECKED	 雅鈦企業有限公司 Aec Connectors Co., Ltd.	
6	ferrule	1	brass	gold	OT11BR019A		DRAWN <i>Chad</i>		TITLE SMC STRAIGHT PLUG CRIMP FOR RG-174U,50 ohm
5	barrel	1	brass	gold	SC01BR003A				DATE 2014. 03. 03
4	contact pin	1	beryllium copper	gold (3u")	SC03BE001A			FILE NO. DRAWINGRFSCASC-1007GTG-SC1715	
3	insulator	1	PTFE	none	SC02TF002A				
2	body	1	brass	gold	SC01BR002A				
1	shell	1	brass	gold	SC05BR001A				
NO.	Description	Unit	Materials	Finish	Drawing No.	SCALE 4 : 1	UNIT MM		