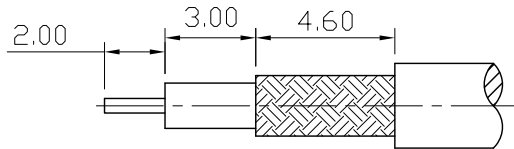
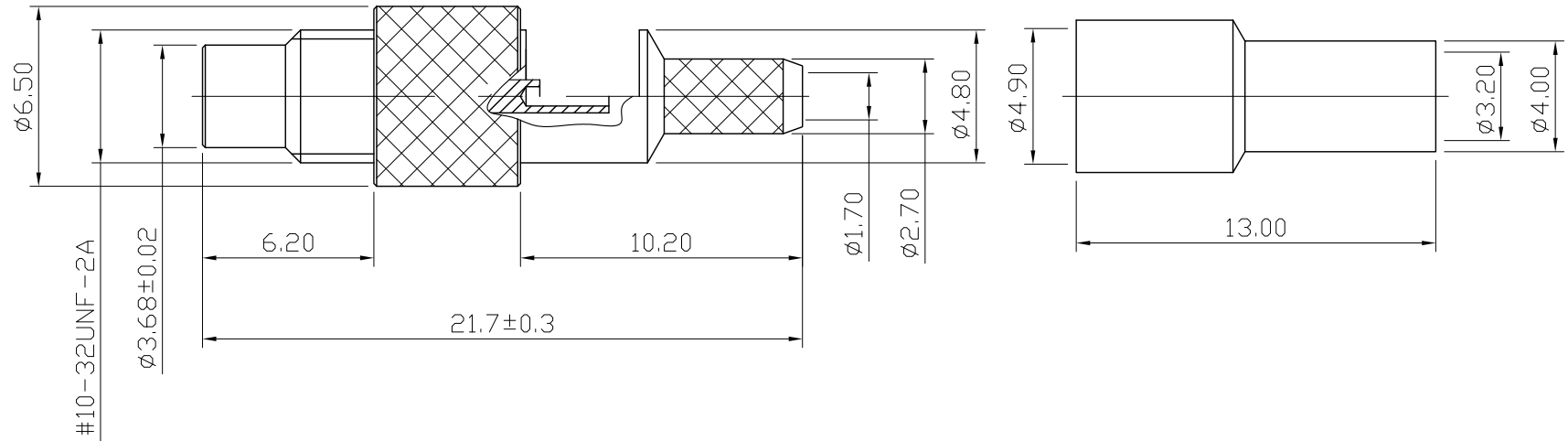
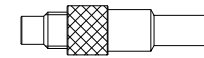



No.	DATE	DESCRIPTION	REV	REMARK : RoHS REQUIREMENT APPLIED (符合RoHS)	DATE	DRAWING NO.
-----	------	-------------	-----	---	------	-------------



RECOMMENDED CABLE STRIPPING DIM'S
(建議剝線尺寸)



S 1 : 1

						DIMENSIONS ARE IN MILLIMETERS UNLESS OTHERWISE SPECIFIED TOLERANCES (一般公差) 0.5~6 = ±0.2 >6~30 = ±0.4 >30~120 = ±0.6 >120~315 = ±1 >315~1000 = ±1.6 ANGLES(角度) = ±5°	CHECKED	 雅鈦企業有限公司 Aec Connectors Co., Ltd.	
5	ferrule	1	brass	gold	OT11BR019A		DRAWN <i>Chad</i>		TITLE SMC STRAIGHT JACK CRIMP FOR RG-174U,50 ohm
4	barrel	1	brass	gold	SC01BR003A				DRAWING NO.
3	contact pin	1	brass	gold (3u")	SC03BR002A				SC-1008GTG-SC1725
2	insulator	1	PTFE	none	SC02TF003A				FILE NO. DRAWINGRFSCASC-1008GTG-SC1725
1	body	1	brass	gold	SC01BR004A	DATE 2014. 03. 19			
NO.	Description	Unit	Materials	Finish	Drawing No.	SCALE 4 : 1 UNIT MM			