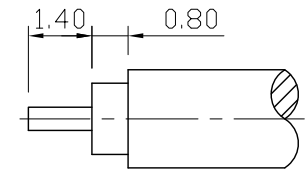
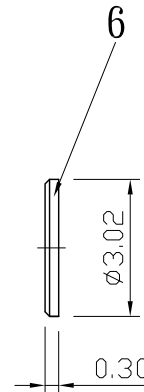
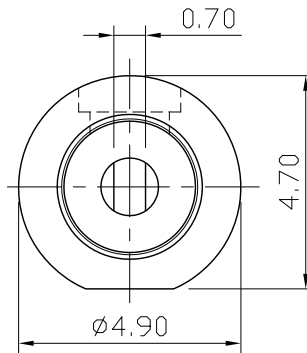
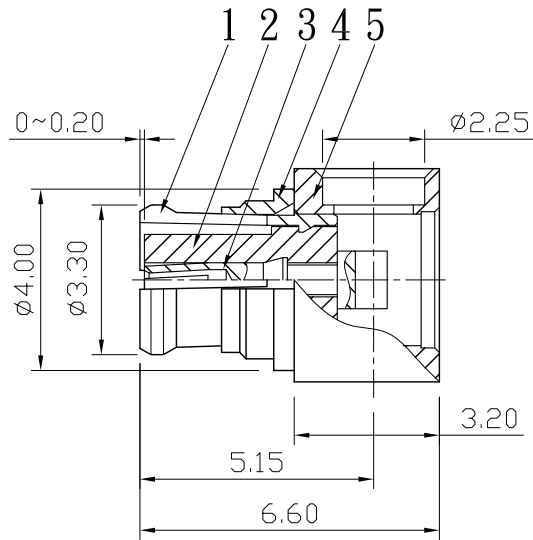



No.	DATE	DESCRIPTION	REV	REMARK : RoHS REQUIREMENT APPLIED (符合RoHS)	DATE	DRAWING NO.
-----	------	-------------	-----	---	------	-------------



RECOMMENDED CABLE STRIPPING DIM'S
(建議剝線尺寸)



S 1 : 1

7						DIMENSIONS ARE IN MILLIMETERS UNLESS OTHERWISE SPECIFIED TOLERANCES (一般公差) 0.5~6 = ±0.2 >6~30 = ±0.4 >30~120 = ±0.6 >120~315 = ±1 >315~1000 = ±1.6 ANGLES(角度) = ±5°	CHECKED	 雅鈦企業有限公司 Aec Connectors Co., Ltd.	
6	cover	1	brass	gold	OT13BR004A		DRAWN <i>Ada</i>		TITLE SMP TYPE JACK SOLDER FOR 0.85
5	body	1	brass	gold	OT01BR021A				DATE 2012. 04. 19
4	ring	1	beryllium copper	gold	SP14BE001A			FILE NO. DRAWINGRFSPSP-1001GTG-RF1525A	
3	contact pin	1	beryllium copper	gold(30u")	SP03BE001A				
2	insulator	1	PTFE	white	SP02TF001A				
1	body	1	beryllium copper	gold(30u")	SP01BE001A				
NO.	Description	Unit	Materials	Finish	Drawing No.	SCALE	6 : 1	UNIT	MM