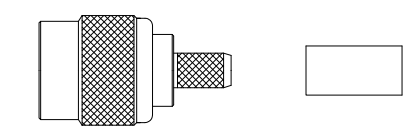
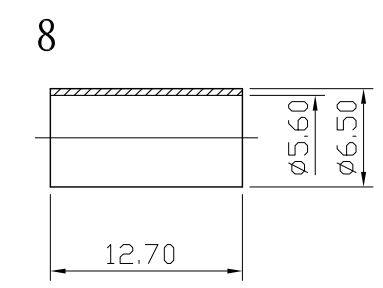
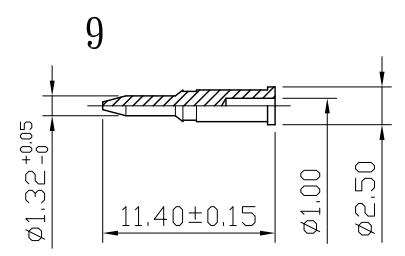
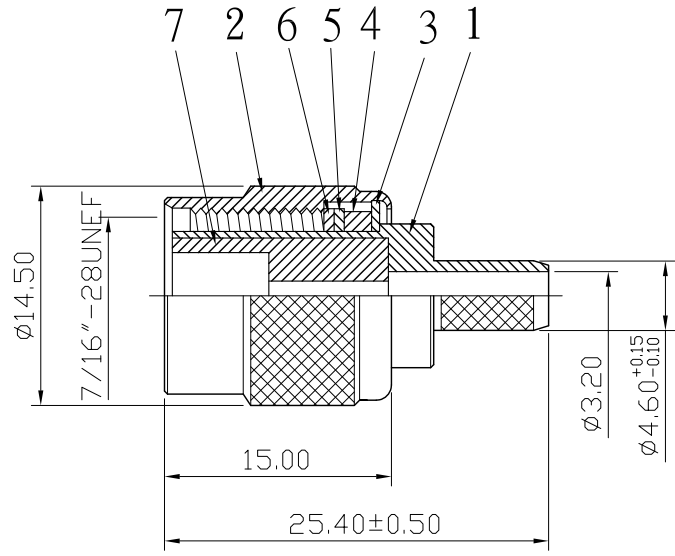


No.	DATE	DESCRIPTION	REV	REMARK : RoHS REQUIREMENT APPLIED (符合RoHS)	DATE	DRAWING NO.
					2008. 11. 26	TC-1001NG-DEL(50)-58U



S 1 : 1

9	contact pin	1	brass	gold	
8	ring	1	brass	nickel	
7	insulator	1	POM	white	
6	gasket	1	rubber	red	
5	washer	1	steel	nickel	
4	washer	1	brass	nickel	
3	washer	1	steel	nickel	
2	shell	1	brass	nickel	
1	body	1	brass	nickel	
NO.	Description	Unit	Materials	Finish	Drawing No.

DIMENSIONS ARE IN MILLIMETERS
UNLESS OTHERWISE SPECIFIED
TOLERANCES
(一般公差)
0.5~6 = ±0.2
>6~30 = ±0.4
>30~120 = ±0.6
>120~315 = ±1
>315~1000 = ±1.6
ANGLES(角度) = ±5°

CHECKED

DRAWN
Chad
DATE
2008. 04. 30

 雅鈦企業有限公司
Aec Connectors Co., Ltd.

TITLE
TNC MALE CRIMP FOR RG-58/U

DRAWING NO.
TC-1001NDG-SC1115

FILE NO. DRAWING\RF\TC\TC-1001NDG-SC1115