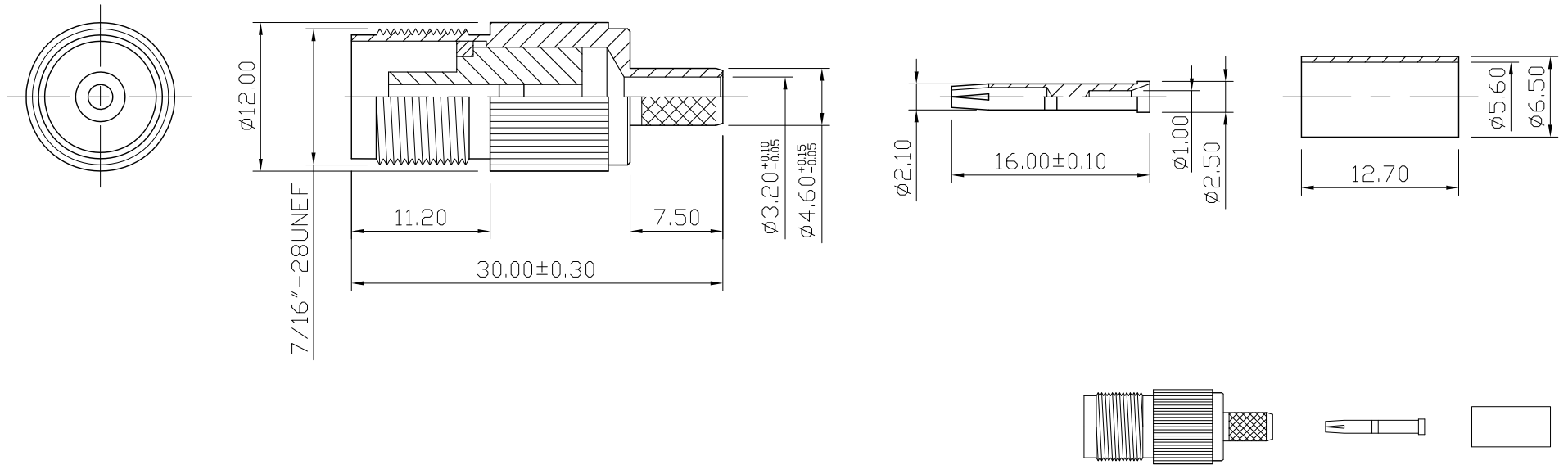



No.	DATE	DESCRIPTION	REV	REMARK : RoHS REQUIREMENT APPLIED (符合RoHS)	DATE	DRAWING NO.
					2011. 12. 16	TC-1011NG-DEL(50)-58U



S 1 : 1

-					DIMENSIONS ARE IN MILLIMETERS UNLESS OTHERWISE PECIFIED TOLERANCES (一般公差) 0.5~6 = ±0.2 >6~30 = ±0.4 >30~120 = ±0.6 >120~315 = ±1 >315~1000 = ±1.6 ANGLES(角度) = ±5°	CHECKED	 雅鈦企業有限公司 Aec Connectors Co., Ltd.	
-	ferrule	1	brass	nickel		DRAWN <i>Jim</i>		TITLE TNC FEMALE CRIMP TYRE
-	pin	1	brass	gold				DATE 2007. 07. 11
-	washer	1	brass	nickel			FILE NO. DRAWINGRFTCTC-1011NDG-SC1125	
-	insulator	1	POM	white				
-	body	1	brass	nickel				
NO.	Description	Unit	Materials	Finish	Drawing No.	SCALE 2 : 1	UNIT MM	