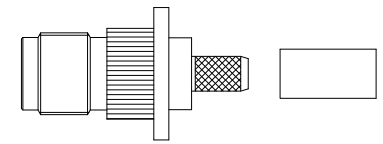
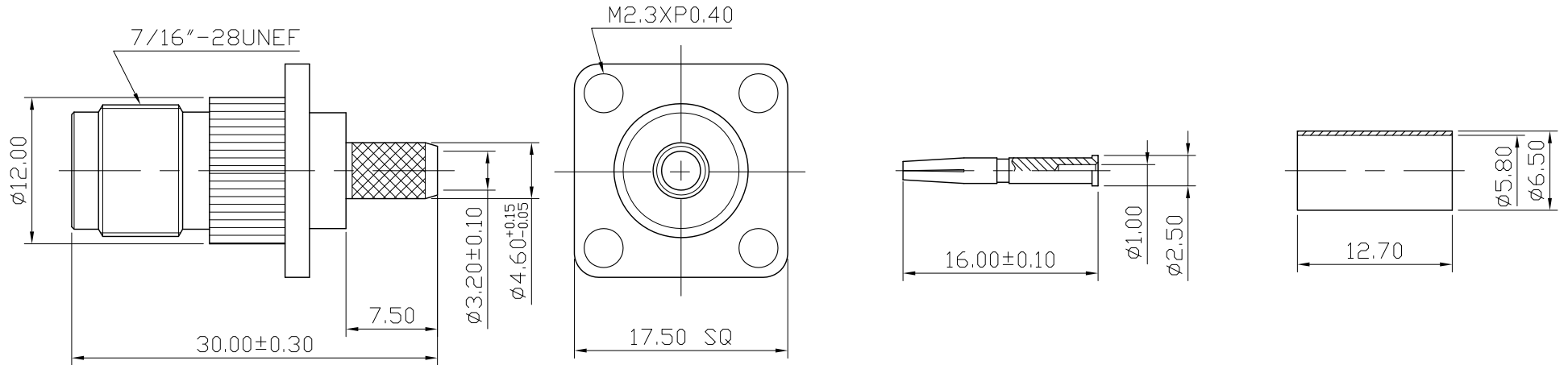



No.	DATE	DESCRIPTION	REV	REMARK : RoHS REQUIREMENT APPLIED (符合RoHS)	DATE	DRAWING NO.
-----	------	-------------	-----	---	------	-------------



S 1 : 1

-					DIMENSIONS ARE IN MILLIMETERS UNLESS OTHERWISE SPECIFIED TOLERANCES (一般公差) 0.5~6 = ±0.2 >6~30 = ±0.4 >30~120 = ±0.6 >120~315 = ±1 >315~1000 = ±1.6 ANGLES(角度) = ±5°	CHECKED	 <b>雅鈦企業有限公司</b> Aec Connectors Co., Ltd.	
-	ring	1	brass	nickel		DRAWN <i>Tina</i>		TITLE TNC FEMALE PANEL CRIMP FOR RG-223/U,142A/U
-	panel	1	brass	nickel				DATE 2011. 08. 18
-	contact pin	1	brass	gold			FILE NO. DRAWING\RFVTC\TC-1012NDG-SE2325	
-	washer	1	brass	nickel				
-	insulator	1	POM	white				
-	body	1	brass	nickel				
NO.	Description	Unit	Materials	Finish	Drawing No.	SCALE 2 : 1	UNIT MM	