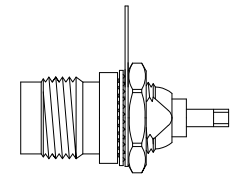
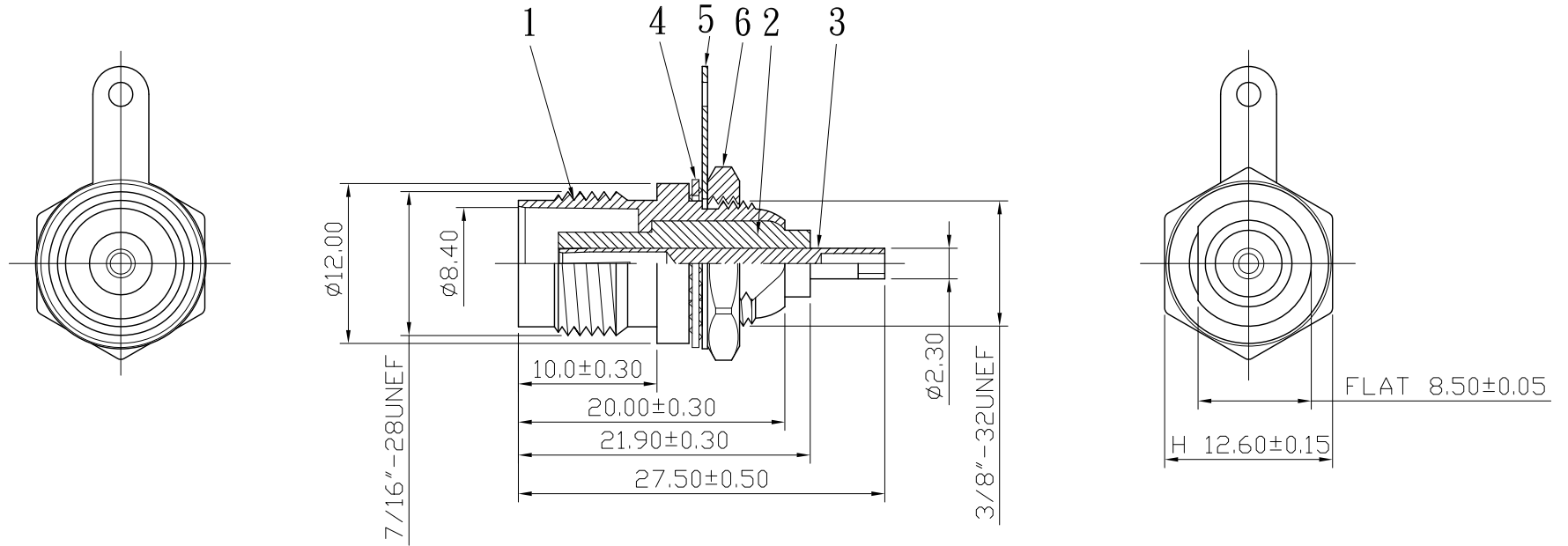



No.	DATE	DESCRIPTION	REV	REMARK : RoHS REQUIREMENT APPLIED (符合RoHS)	DATE	DRAWING NO.
					2008. 11. 28	TC-1017NG-DEL(50)



S 1 : 1

7						DIMENSIONS ARE IN MILLIMETERS UNLESS OTHERWISE PECIFIED TOLERANCES (一般公差) 0.5~6 = ±0.2 >6~30 = ±0.4 >30~120 = ±0.6 >120~315 = ±1 >315~1000 = ±1.6 ANGLES(角度) = ±5°	CHECKED	 雅鈦企業有限公司 Aec Connectors Co., Ltd.	
6	nut	1	steel	nickel			DRAWN <i>Chad</i>		TITLE TNC FEMALE BULKHEAD
5	solder tab	1	steel	nickel					DATE 2007. 09. 27
4	washer	1	steel	nickel				FILE NO. DRAWING\RF\TC\TC-1017NDG-SB0025	
3	contact pin	1	brass	gold					
2	insulator	1	delrin	white					
1	body	1	brass	nickel					
NO.	Description	Unit	Materials	Finish	Drawing No.	SCALE 2 : 1	UNIT MM		