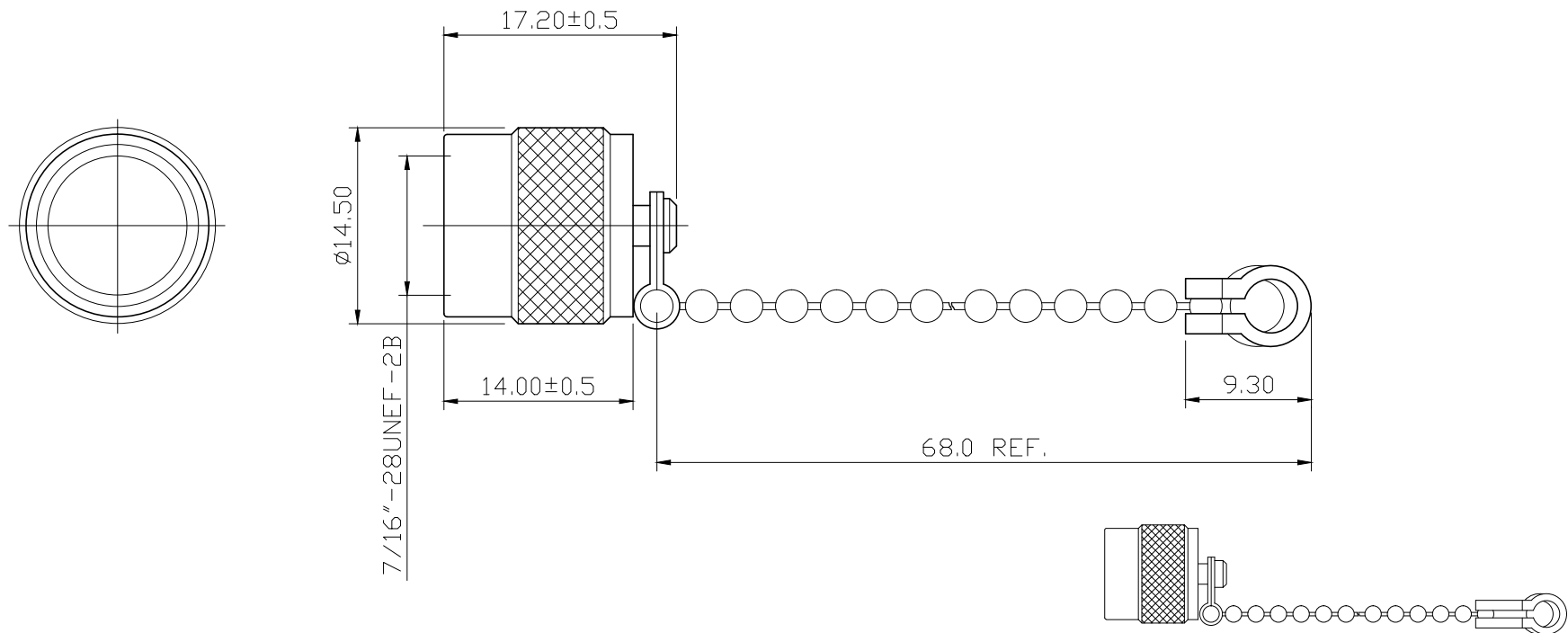



No.	DATE	DESCRIPTION	REV	REMARK : RoHS REQUIREMENT APPLIED (符合RoHS)	DATE	DRAWING NO.
-----	------	-------------	-----	---	------	-------------



S 1 : 1

-						DIMENSIONS ARE IN MILLIMETERS  UNLESS OTHERWISE PECIFIED TOLERANCES (一般公差) 0.5~6 = ±0.2 >6~30 = ±0.4 >30~120 = ±0.6 >120~315 = ±1 >315~1000 = ±1.6 ANGLES(角度) = ±5°	CHECKED	 <b>雅鈦企業有限公司</b> Aec Connectors Co., Ltd.
-					DRAWN		TITLE	
4	chain	1	steel	nickel	<i>Chad</i>		TNC MALE PROTECTIVE CAP	
3	ring	1	steel	nickel	DATE		DRAWING NO.	
2	spigot	1	brass	nickel	2016. 04. 07	TC-1022N	FILE NO. DRAWING\RFVTC\TC-1022N	
1	body	1	brass	nickel				
NO.	Description	Unit	Materials	Finish	Drawing No.	SCALE 2 : 1	UNIT MM	