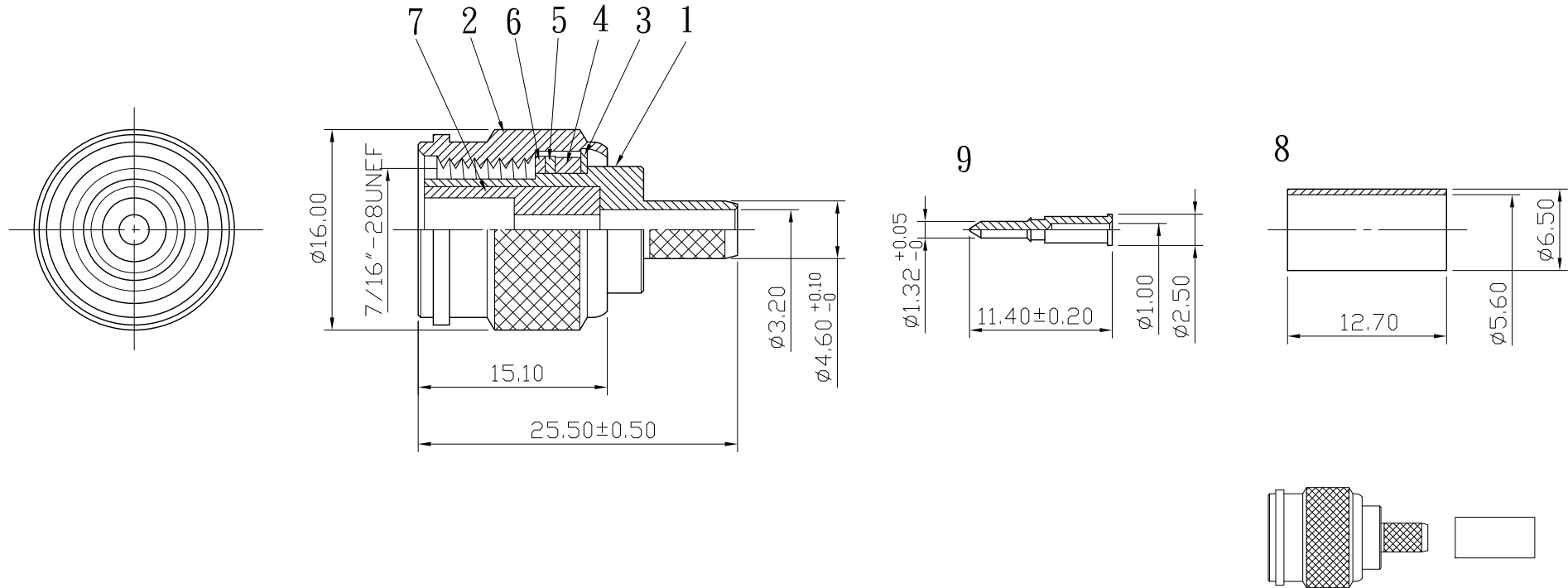


No.	DATE	DESCRIPTION	REV	REMARK : RoHS REQUIREMENT APPLIED (符合RoHS)	DATE	DRAWING NO.
					2008. 07. 08	TC-1048NG-TEF(50)-58U



S 1 : 1

9	contact pin	1	brass	gold	
8	ring	1	brass	nickel	
7	insulator	1	teflon	white	
6	gasket	1	rubber	red	
5	washer	1	steel	nickel	
4	washer	1	brass	nickel	
3	washer	1	steel	nickel	
2	shell	1	brass	nickel	
1	body	1	brass	nickel	
NO.	Description	Unit	Materials	Finish	Drawing No.

DIMENSIONS ARE IN MILLIMETERS  
UNLESS OTHERWISE SPECIFIED  
TOLERANCES  
(一般公差)  
0.5~6 = ±0.2  
>6~30 = ±0.4  
>30~120 = ±0.6  
>120~315 = ±1  
>315~1000 = ±1.6  
ANGLES(角度) = ±5°

CHECKED  
  
DRAWN  
*Chad*  
DATE  
2007. 11. 30

 雅鈦企業有限公司  
Aec Connectors Co., Ltd.

TITLE  
TNC MALE CRIMP FOR RG-58/U

DRAWING NO.  
TC-1028NTG-SC1115

FILE NO. DRAWING\RFV\TC-1028NTG-SC1115