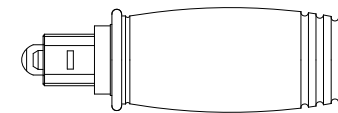
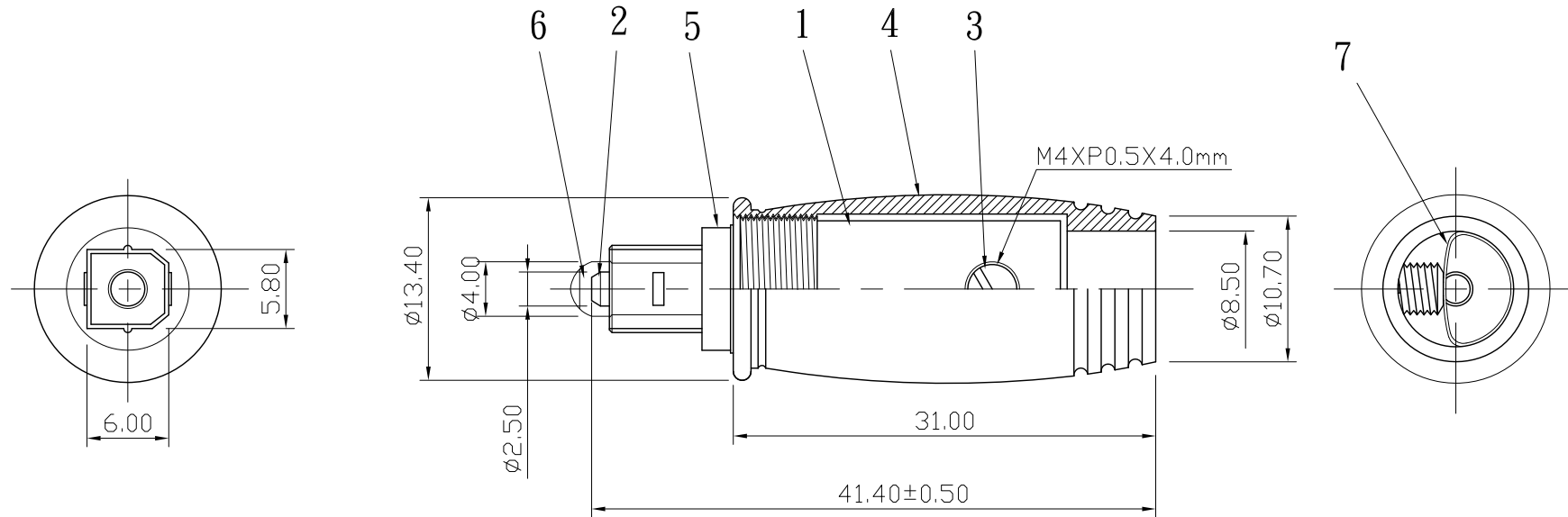



REMARK : RoHS REQUIREMENT APPLIED
(符合RoHS)



S 1 : 1

NO.	Description	Unit	Materials	Finish	Drawing No.	SCALE	2 : 1	UNIT	MM					
7	ferrule	1	plastic	white		DIMENSIONS ARE IN MILLIMETERS UNLESS OTHERWISE SPECIFIED TOLERANCES (一般公差) 0.5~6 = ±0.2 >6~30 = ±0.4 >30~120 = ±0.6 >120~315 = ±1 >315~1000 = ±1.6 ANGLES(角度) = ±5°								
6	barrel	1	rubber	transparent										
5	sleeve	1	plastic	black										
4	shell	1	brass	stain silver										
3	screw	1	brass	gold	SCREW-105G-M4XP0.5X4.0mm(φ 3.8)									
2	contact pin	1	brass	gold										
1	body	1	brass	gold										
						CHECKED	 雅鈦企業有限公司 Aec Connectors Co., Ltd.							
						DRAWN					TITLE			
						Chad					TOSLINK OPTIC PLUG			
						DATE					DRAWING NO.			
						2007. 09. 20	TOP-201SSG-8.5							
								FILE NO. DRAWING\AUDIO\TOP\TOP-201SSG-8.5						