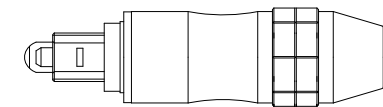
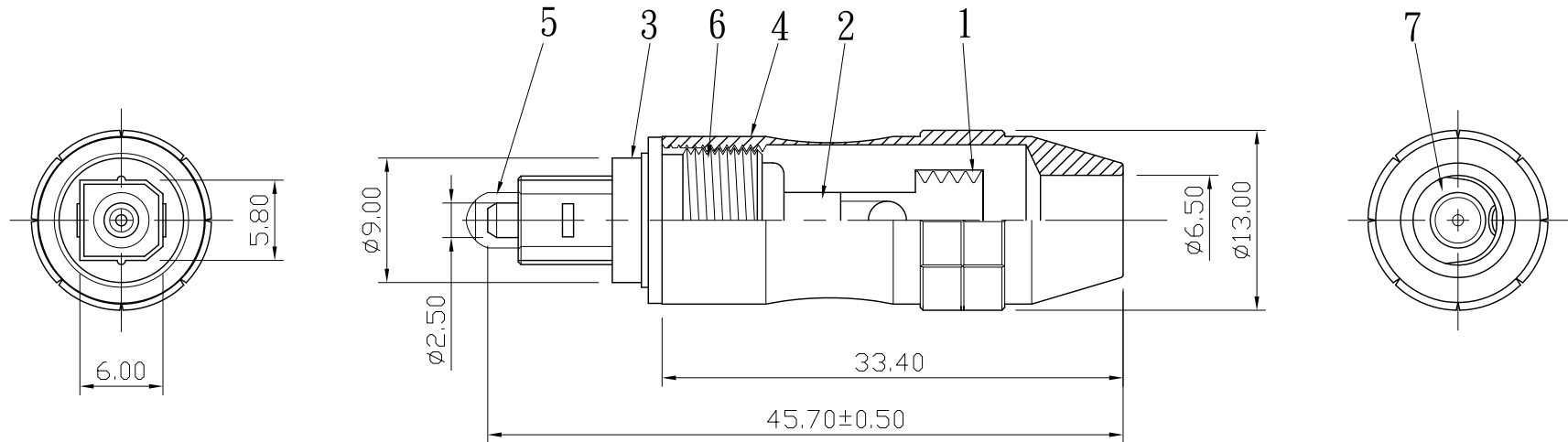



No.	DATE	DESCRIPTION	REV
△	2014. 10. 31	Drawing revised (圖面修正)	A

REMARK : RoHS REQUIREMENT APPLIED
(符合RoHS)



S 1 : 1

NO.	Description	Unit	Materials	Finish	Drawing No.	SCALE	2 : 1	UNIT	MM	CHECKED	 雅鈦企業有限公司 Aec Connectors Co., Ltd.
7	washer	1	brass	gold	DIMENSIONS ARE IN MILLIMETERS UNLESS OTHERWISE PECIFIED TOLERANCES (一般公差) 0.5~6 = ±0.2 >6~30 = ±0.4 >30~120 = ±0.6 >120~315 = ±1 >315~1000 = ±1.6 ANGLES(角度) = ±5°	Sun	DATE	2007. 09. 20	TITLE	TOSLINK OPTIC PLUG	
6	body	1	brass	gold					DRAWING NO.	TOP-202SSG-6.5	
5	barrel	1	rubber	transparent					FILE NO.	DRAWING\AUDIO\TOP\TOP-202SSG-6.5	
4	shell	1	brass	satın silver							
3	sleeve	1	plastic	black							
2	contact pin	1	brass	gold							
1	clip	1	brass	gold							