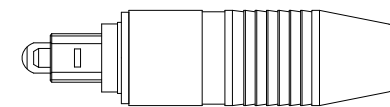
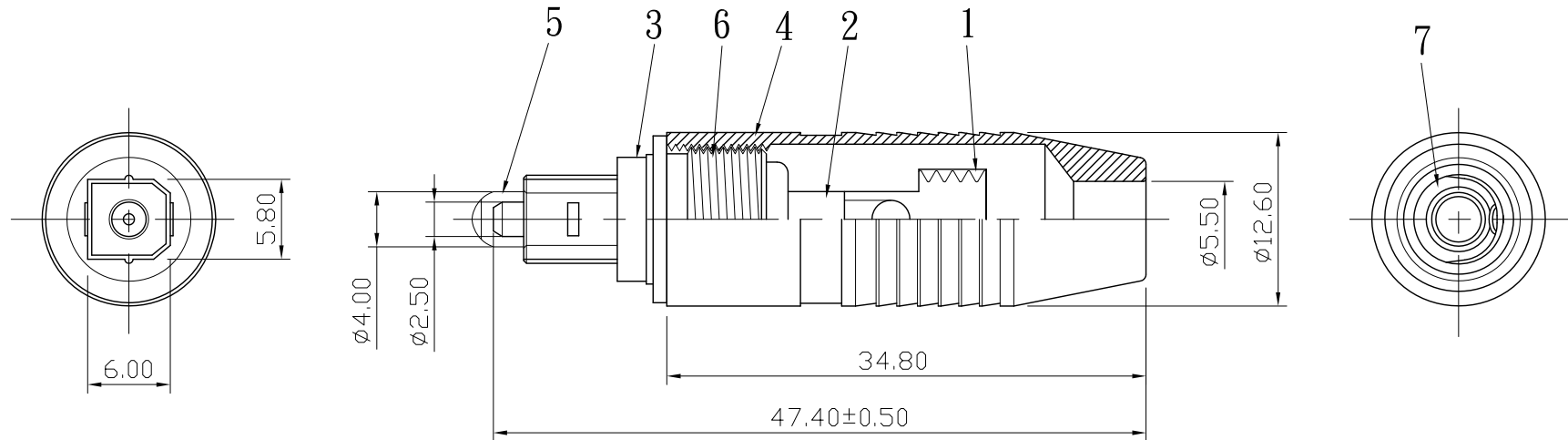



REMARK : RoHS REQUIREMENT APPLIED
(符合RoHS)



S 1 : 1

NO.	Description	Unit	Materials	Finish	Drawing No.	SCALE	2 : 1	UNIT	MM	CHECKED	DATE	FILE NO.
7	washer	1	brass	gold		DIMENSIONS ARE IN MILLIMETERS UNLESS OTHERWISE SPECIFIED TOLERANCES (一般公差) 0.5~6 = ±0.2 >6~30 = ±0.4 >30~120 = ±0.6 >120~315 = ±1 >315~1000 = ±1.6 ANGLES(角度) = ±5°						
6	body	1	brass	gold								
5	barrel	1	rubber	transparent								
4	shell	1	brass	stain silver								
3	sleeve	1	plastic	black								
2	contact pin	1	brass	gold								
1	clip	1	brass	gold								
											 雅鈦企業有限公司 Aec Connectors Co., Ltd.	
											TITLE TOSLINK OPTIC PLUG	
											DRAWING NO. TOP-203SSG-5.5	
											FILE NO. DRAWING\AUDIO\TOP\TOP-203SSG-5.5	