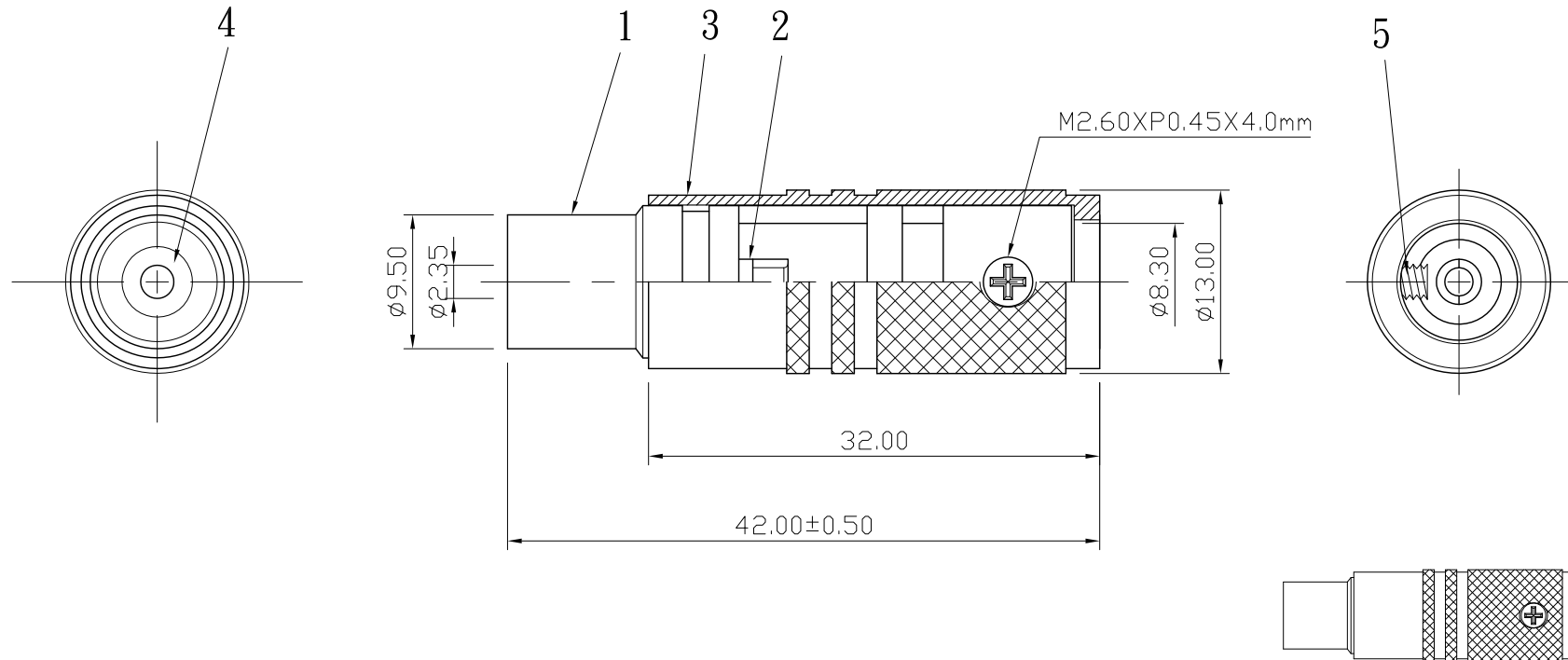



REMARK : RoHS REQUIREMENT APPLIED  
(符合RoHS)



S 1 : 1

NO.	Description	Unit	Materials	Finish	Drawing No.	SCALE	2 : 1	UNIT	MM	CHECKED	DATE	FILE NO.
7						DIMENSIONS ARE IN MILLIMETERS					 <b>雅鈦企業有限公司</b> Aec Connectors Co., Ltd.	
6						UNLESS OTHERWISE SPECIFIED TOLERANCES (一般公差)						
5	screw	1	brass	gold	SCREW-301G-M2.6XP0.45X4.0mm	0.5~6 = ±0.2						
4	insulator	1	PTFE	white		>6~30 = ±0.4						
3	shell	1	brass	gold		>30~120 = ±0.6						
2	contact pin	1	brass	gold		>120~315 = ±1						
1	body	1	brass	gold		>315~1000 = ±1.6						
						ANGLES(角度) = ±5°						
										DRAWN	2007. 10. 08	
										<i>Jim</i>		TITLE
												TV PLUG
												DRAWING NO.
												TV-102GG-TEF-MALE-A-8.3
												FILE NO. DRAWINGAUDIO\TV\TV-102GG-TEF-MALE-A-8.3