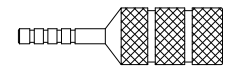
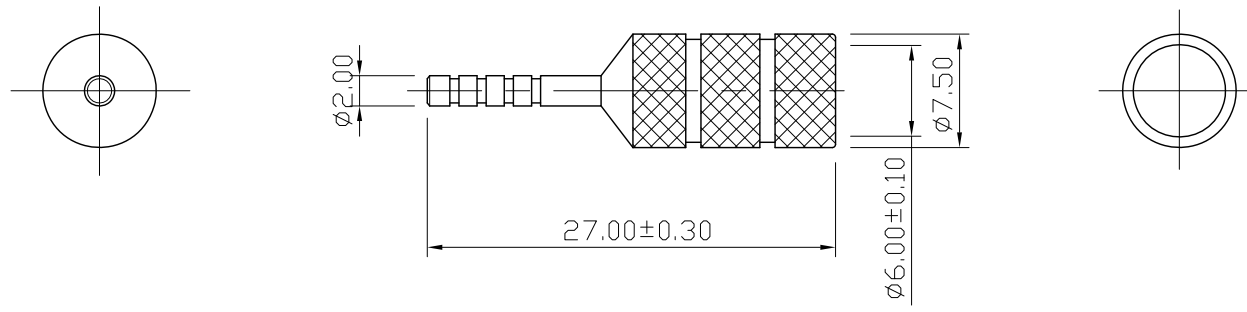



REMARK : RoHS REQUIREMENT APPLIED
(符合RoHS)



S 1 : 1

7						DIMENSIONS ARE IN MILLIMETERS UNLESS OTHERWISE PECIFIED TOLERANCES (一般公差) 0.5~6 = ± 0.2 >6~30 = ± 0.4 >30~120 = ± 0.6 >120~315 = ± 1 >315~1000 = ± 1.6 ANGLES(角度) = $\pm 5^\circ$	CHECKED	 雅鈦企業有限公司 Aec Connectors Co., Ltd.	
6					DRAWN		TITLE		
5					<i>Chad</i>		TIP PLUG		
4					DATE		DRAWING NO.		
3					2008. 09. 18		TP-108GG-6.0		
2							FILE NO.		
1	body	1	brass	gold			DRAWINGAUDIO\TP\TP-108GG-6.0		
NO.	Description	Unit	Materials	Finish	Drawing No.	SCALE	2 : 1	UNIT	MM