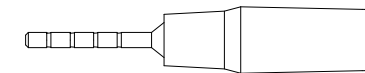
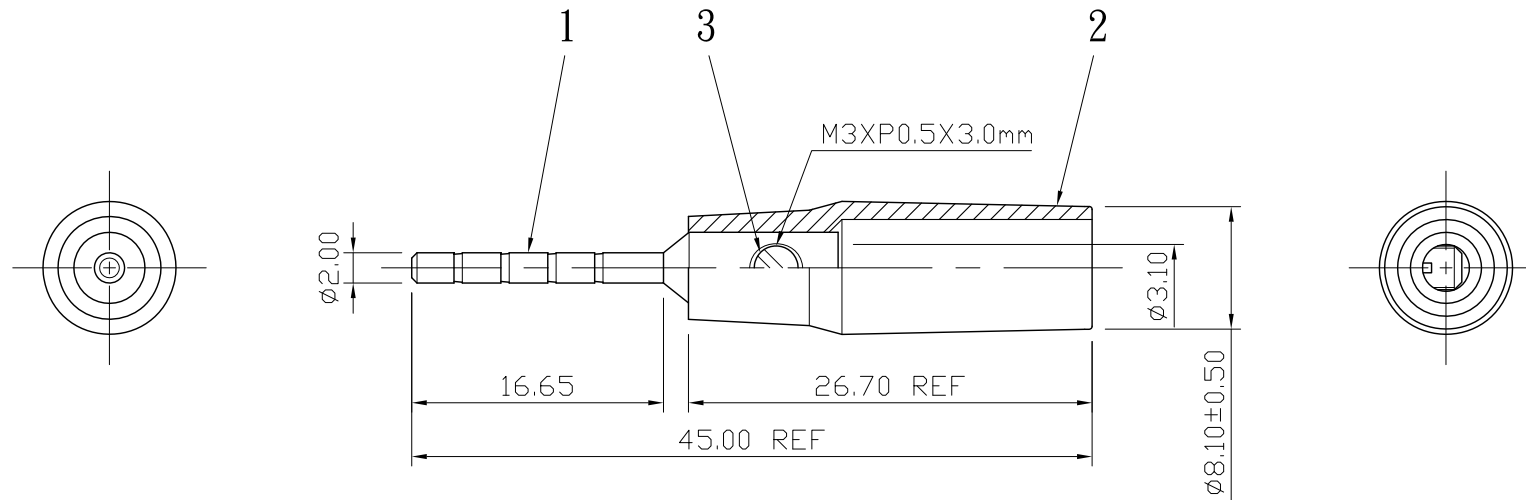


No.	DATE	DESCRIPTION	REV
△1	2009. 02. 12	Drawing revised (圖面修正)	A
△2	2015. 02. 04	Drawing revised (圖面修正)	B

REMARK : RoHS REQUIREMENT APPLIED  
(符合RoHS)



S 1 : 1

No.	Description	Unit	Materials	Finish	Drawing No.	SCALE	2 : 1	UNIT	MM	CHECKED	DATE	FILE NO.	
7						DIMENSIONS ARE IN MILLIMETERS  UNLESS OTHERWISE PECIFIED TOLERANCES (一般公差) 0.5~6 = ±0.2 >6~30 = ±0.4 >30~120 = ±0.6 >120~315 = ±1 >315~1000 = ±1.6 ANGLES(角度) = ±5°					2008. 02. 13	DRAWING\AUDIO\TP\TP-109RD/BKsoPLG	
6													
5													
4											DRAWN <i>Jim</i>	DATE	TITLE TIP PLUG
3	screw	1	brass	gold	ZZSW0002BR-G								
2	shell	1	rubber	red/black	ZZSL0001RU-XX						DRAWING NO.	TP-109RD/BKsoPLG	
1	body	1	brass	gold	TPBY0001BR-G								



雅鈦企業有限公司  
Aec Connectors Co., Ltd.