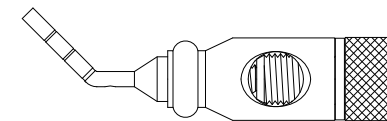
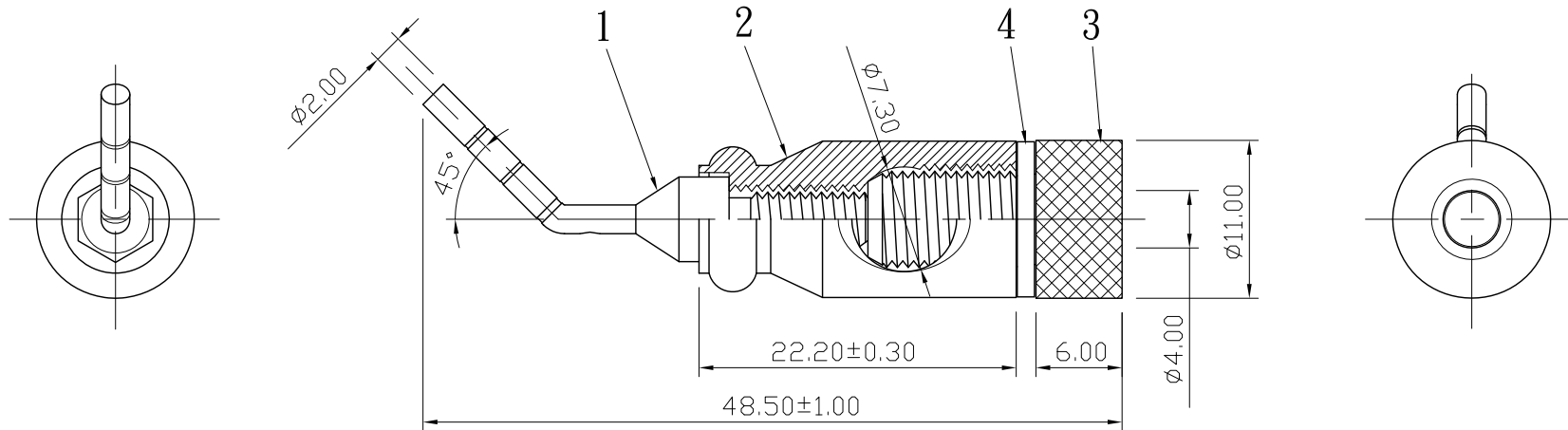



REMARK : RoHS REQUIREMENT APPLIED
(符合RoHS)



S 1 : 1

7						DIMENSIONS ARE IN MILLIMETERS UNLESS OTHERWISE PECIFIED TOLERANCES (一般公差) 0.5~6 = ±0.2 >6~30 = ±0.4 >30~120 = ±0.6 >120~315 = ±1 >315~1000 = ±1.6 ANGLES(角度) = ±5°	CHECKED	 雅鈦企業有限公司 Aec Connectors Co., Ltd.			
6					DRAWN		TITLE				
5							<i>Chad</i>	TIP PLUG			
4	washer	1	plastic	red/black/blue/white				DRAWING NO.			
3	headlock	1	brass	gold				TP-110ZAG-SH7.3-RD/BK/BE/WE-4.0			
2	shell	1	brass	zinc alloy				FILE NO.			
1	body	1	brass	gold				DRAWING/AUDIO/TP/TP-110ZAG-SH7.3-RD/BK/BE/WE-4.0			
NO.	Description	Unit	Materials	Finish	Drawing No.	SCALE	2 : 1	UNIT	MM	DATE	2007. 11. 15