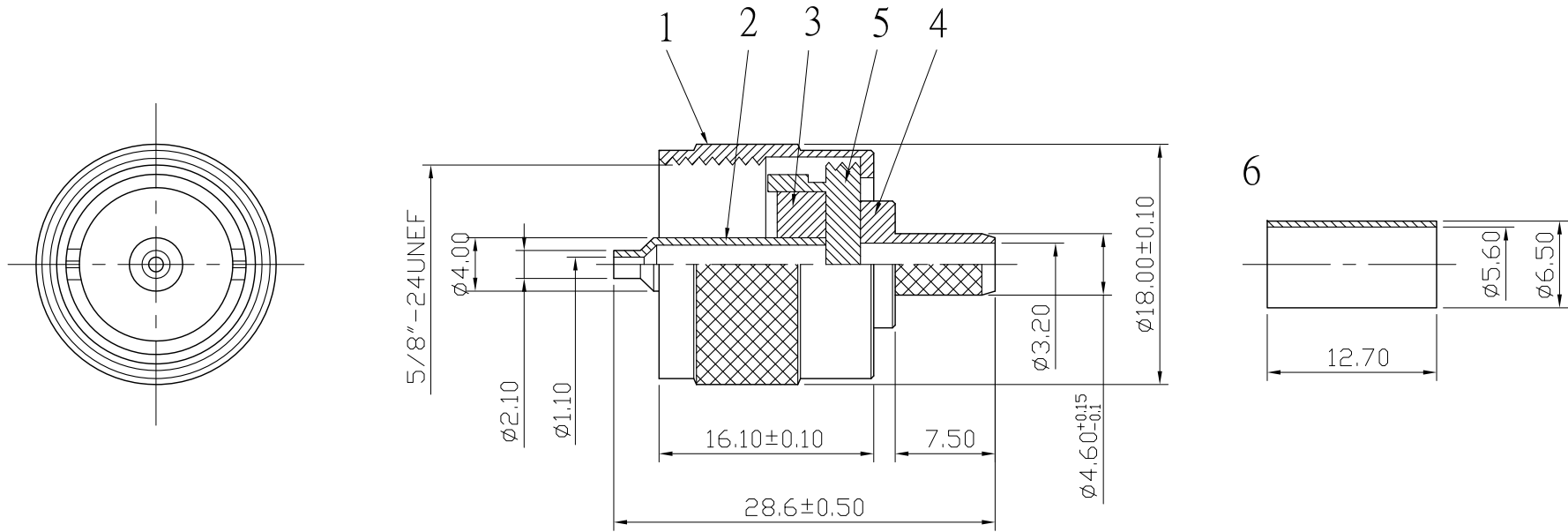
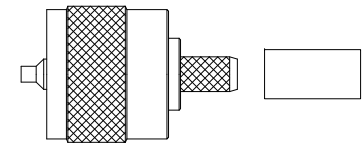


No.	DATE	DESCRIPTION	REV	REMARK : RoHS REQUIREMENT APPLIED (符合RoHS)	DATE	DRAWING NO.
△	2013. 02. 26	Drawing to renew 圖面更新	A		2008. 07. 09	US-1001NG-DEL(50)-58U




1.THE SPEC OF THE BEVEL WHICH WITHOUT REMARK IS 0.2mmx45°
(未標註之倒角尺寸為 0.2mmx45°)

2.TOLERANCE IS ±0.08mm UNLESS OTHER WISE SPECIFIED, TOLERANCE OF THE DIAMETER IS ±0.03mm
(未標註之公差長度為 ±0.08mm, 直徑為 ±0.03mm)



S 1 : 1

7						DIMENSIONS ARE IN MILLIMETERS UNLESS OTHERWISE SPECIFIED TOLERANCES (一般公差) 0.5~6 = ±0.2 >6~30 = ±0.4 >30~120 = ±0.6 >120~315 = ±1 >315~1000 = ±1.6 ANGLES(角度) = ±5°	CHECKED	 雅鈦企業有限公司 Aec Connectors Co., Ltd.	
6	ring	1	brass	nickel			DRAWN <i>Tina</i>		TITLE UHF MALE CRIMP TYPE FOR RG-58/U
5	body	1	brass	nickel					DATE 2007. 11. 29
4	body	1	brass	nickel				FILE NO. DRAWING	R\FUSUS-1001NDG-SC1110
3	insulator	1	POM	white					
2	contact pin	1	brass	gold					
1	shell	1	brass	nickel					
NO.	Description	Unit	Materials	Finish	Drawing No.	SCALE	2 : 1	UNIT	MM