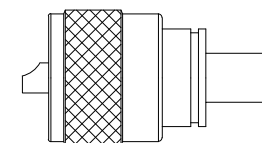
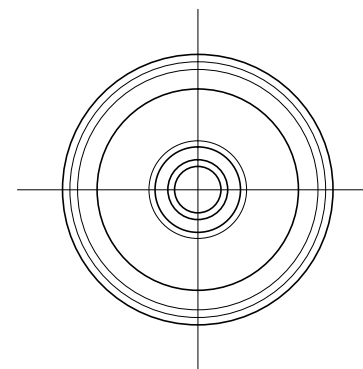
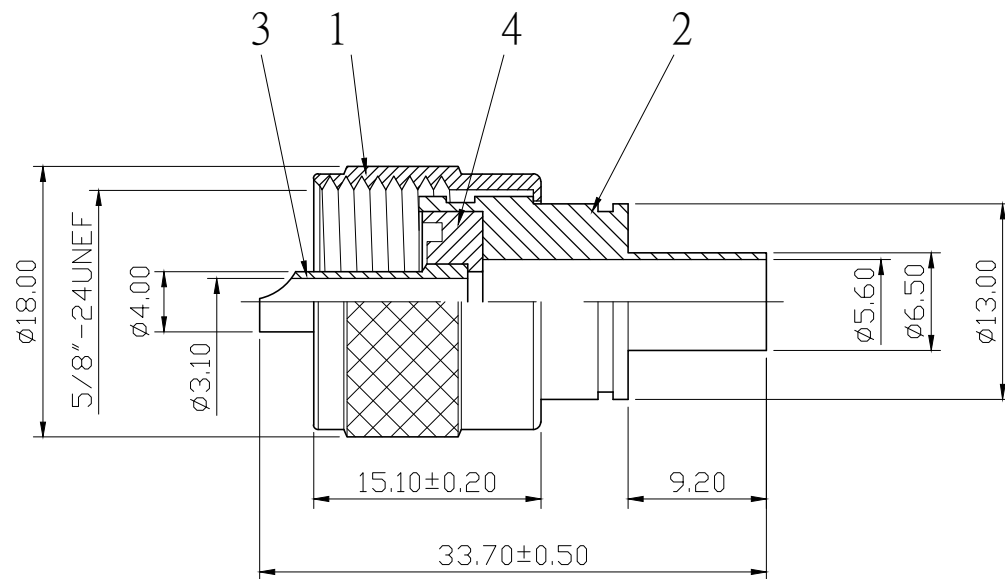



No.	DATE	DESCRIPTION	REV	REMARK : RoHS REQUIREMENT APPLIED (符合RoHS)	DATE	DRAWING NO.
▲	2016. 11. 16	Drawing to renew (圖面更新)	A			



S 1 : 1

7						DIMENSIONS ARE IN MILLIMETERS	CHECKED	 雅鈦企業有限公司 Aec Connectors Co., Ltd.
6								
5						DATE 2009. 02. 16	DRAWING NO. US-1002NDG-SC1110	
4	insulator	1	POM	nature			SCALE 2 : 1 UNIT MM	FILE NO. DRAWINGARFUSUS-1002NDG-SC1110
3	contact pin	1	brass	gold				
2	body	1	brass	nickel				
1	shell	1	brass	nickel				
NO.	Description	Unit	Materials	Finish	Drawing No.			